

One way vents should be prefabricated from spun aluminum; plastic vents are not acceptable. Refer to CertainTeed Commercial Roof Systems Specifications, General Recommendations, Section 3.9 for application recommendations for Lightweight Insulating Concrete Decks.

Pressure Release Vent

Install a minimum 4" diameter pressure release vent with 4" wide primed continuous flange and weather resistant hood 20 feet from perimeter edges and 40 feet o.c. thereafter, located directly over 4" diameter

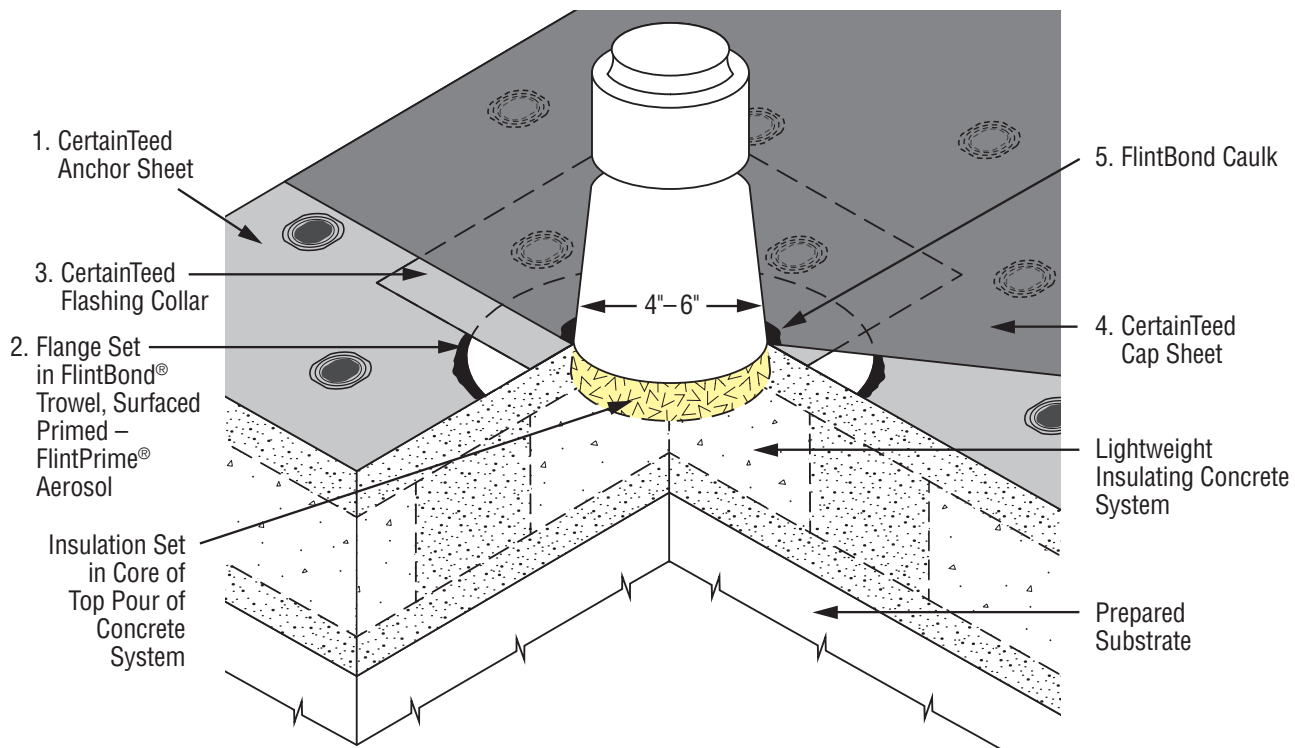
opening cut through the roof system and into the insulating fill not less than 2"; center the release vent over the prepared opening on top of the complete filed membrane.

Anchor Sheet

Mechanically attach with FlintFast® FM 90 Base Sheet Fastener, Twin Loc or Do-All Loc Nails a minimum 9" o.c. in sidelaps and two staggered rows space 18" o.c. in the field.

Flashing Collar & Cap Sheet

Fully adhere (self-adhered, torch, cold process or hot asphalt). Proper attachment is defined by product selection.



NOT DRAWN TO SCALE