

Built Up Ply Sheet

Ply sheets shall be set in hot asphalt; number of plies is defined by specification.

Metal Flashing

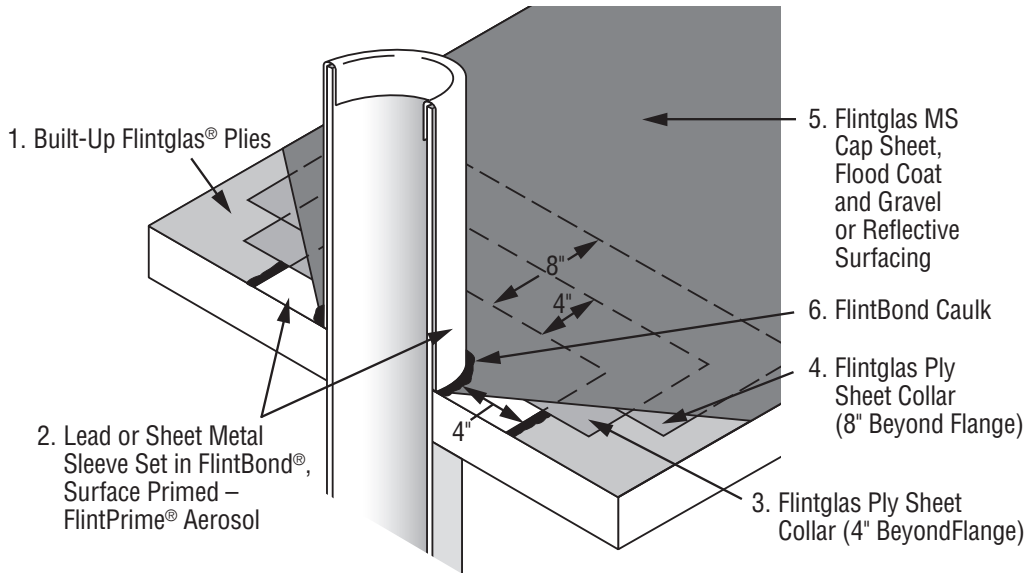
Shall have a 4" wide primed continuous flange. Set in FlintBond® Trowel or hot asphalt.

Flashing Collars

Set two Flintglas Ply Sheet flashing collars in hot asphalt extending 4" and 8", respectively, beyond the metal flange.

Cap Sheet

Fully adhere in hot asphalt; if not using Flintglas® MS Cap, top layer ply sheet may be surfaced with flood coat and gravel or FlintCoat® reflective coating.



NOT DRAWN TO SCALE