

Anchor Sheet or Base Ply, Field

Mechanically attach or fully adhere (self-adhered, torch, cold process or hot asphalt). Proper attachment of the base layer is defined by specified system, product selection and deck type.

Cap Sheet, Field

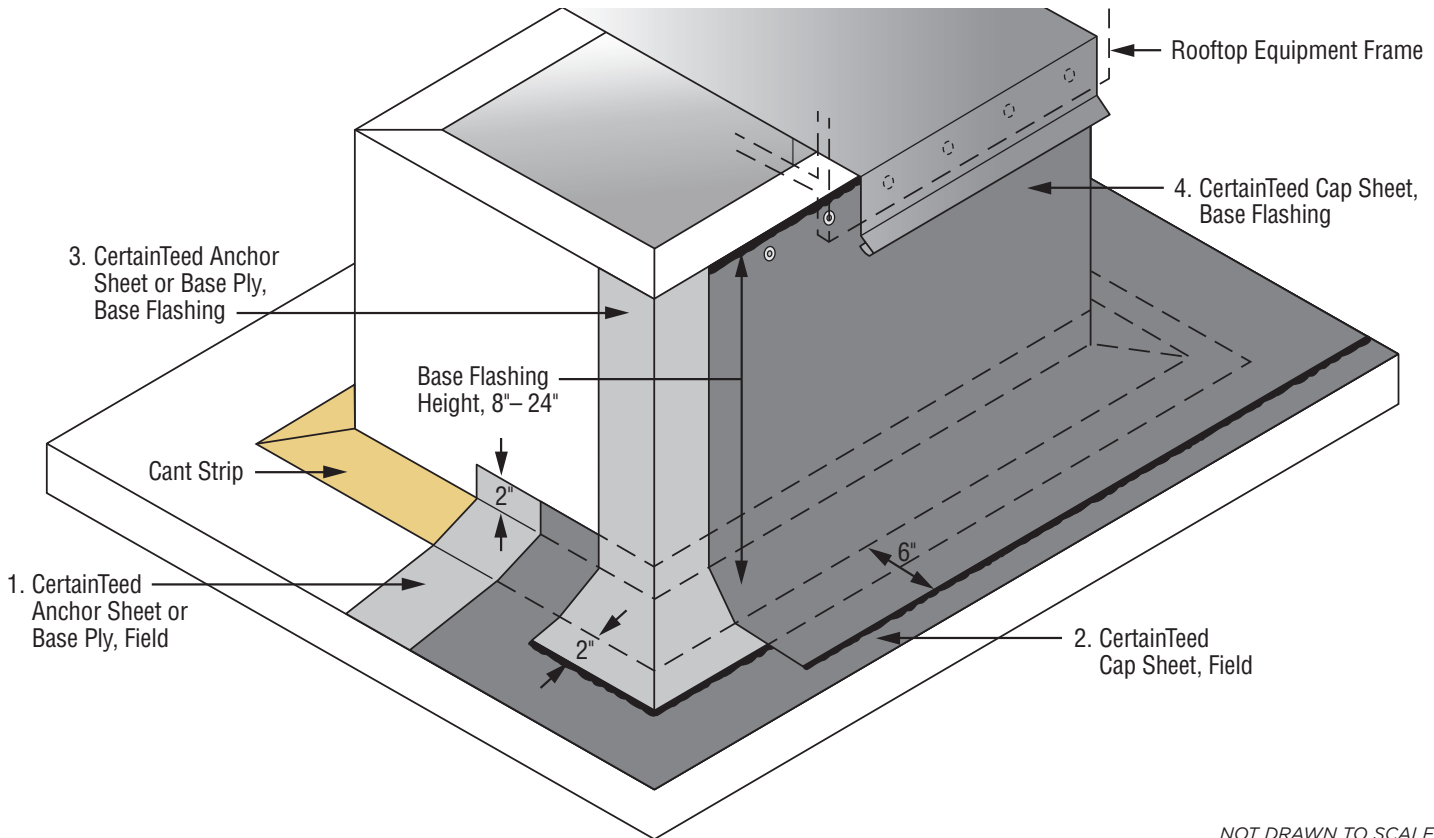
Fully adhere (self-adhered, torch, cold process or hot asphalt). Proper attachment is defined by product selection. Extend base ply and cap sheet 2" above cant strip; adhere to cant strip only.

Base Flashing

VERTICAL ATTACHMENT: Mechanically attach Anchor 12" o.c. or self-adhere Base Ply; Fully adhere Cap (self-adhered,

torch-weld, cold process or hot asphalt; Gang fasten Base and Cap at top edge 9" o.c. with tin discs; Ensure 1/4" bleed out on top edge or apply FlintBond® Caulk.

FIELD ATTACHMENT: Treat the granulated surface of Cap Sheet, Field, where the Base Flashing overlap occurs: **If self-adhered or using cold process** apply FlintBond Trowel to entire lapped surface with 1/4" bleed out or (in cold weather) hot air weld² with bead of FlintBond Caulk at edge; **If torch-welded** heat sink/scrape the granules with heated trowel or granular embedment tool and ensure 1/4" bleed out; **if using hot asphalt** apply to entire lapped surface with 1/4" bleed out.



Premium Application

Add a CertainTeed Modified Bitumen Base Ply behind the Cap Sheet, Counterflashing. Extend it a minimum of 4" out onto the Cap Sheet, Field. Extend the Cap Sheet, Counterflashing out onto the Cap Sheet, Field a minimum of 4" beyond the underlying additional ply.