

MANUAL
FOR
CERTAINTEED MACHINE WORKS
VAC-MATIC™ II
INSULATION VACUUM MACHINE

**PLEASE READ THIS MANUAL THOROUGHLY BEFORE PUTTING THE
VAC-MATIC™ II INSULATION VACUUM MACHINE INTO SERVICE!**

MANUFACTURED BY:

CertainTeed Machine Works

101 Hatfield Rd.

Winter Haven, Florida 33880

1-800-237-7841

www.certainteedmachineworks.com

TABLE OF CONTENTS

SPECIFICATIONS	1
GENERAL	2
SAFETY	3 – 4
OPERATION	4 – 5
PREVENTIVE MAINTENANCE	6 – 7
PARTS DRAWING	8

VAC-MATIC™ II INSULATION VACUUM MACHINE

SPECIFICATIONS:

MODELS:

48P-4-14VAC2: Four-inch inlet and outlet ports.

48P-6-14VAC2: Six-inch inlet and outlet ports.

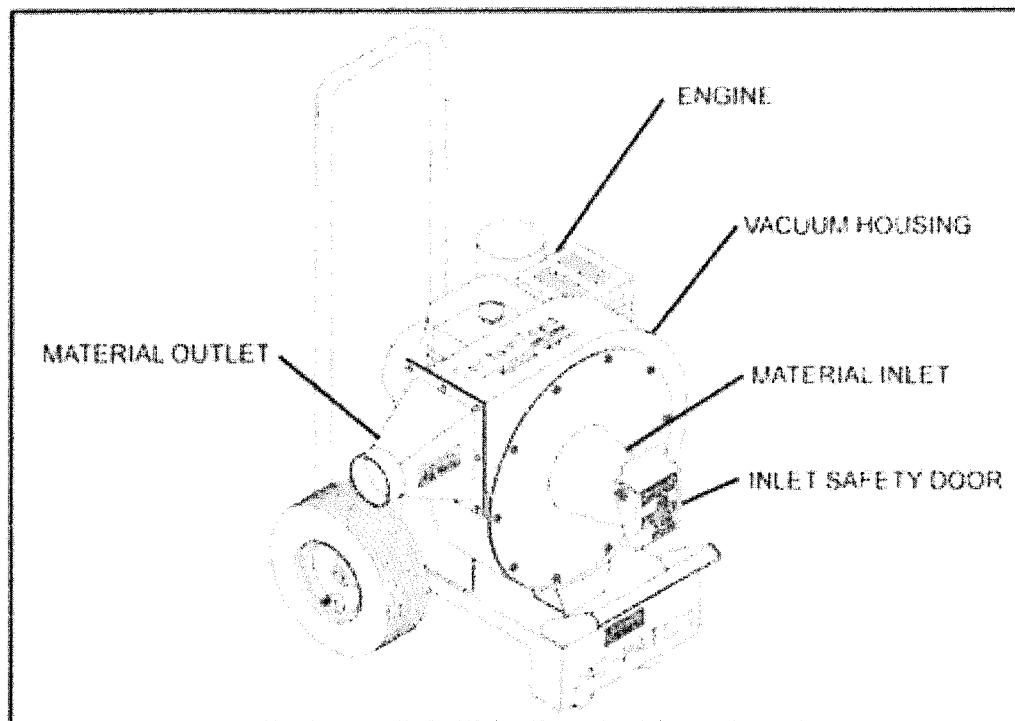
ALL MACHINES: Kohler gasoline engine – 14 horsepower single cylinder air cooled, 350 CCA battery, heavy duty housing and fan impeller.

HEIGHT: 44.00 inches

LENGTH: 31.00 inches

WIDTH: 32.00 inches

WEIGHT: 240 pounds



GENERAL

This introduction is presented to provide a basic description of the function and purpose of the VAC-MATIC™ II insulation vacuum machine.

The VAC-MATIC™ II is principally designed to vacuum damaged or contaminated insulating materials generally used for attic insulation. The VAC-MATIC™ II can also be configured for wall spray applications to return scrubbed or recycled material to a blowing machine for remix into new material. Whenever you do a wall spray application with the VAC-MATIC™ II machine, the insulation manufacturer's instructions prevail since they guaranteed the final results.

When vacuuming damaged material, the VAC-MATIC™ II is normally placed so that hose connected to the inlet port can reach the end of the job. The damaged material can be vacuumed into a bag connected directly to the outlet port or hose that is connected to the outlet port leading to a dumpster or other form of containment. When vacuuming insulation for wall spraying, the VAC-MATIC™ II is normally located half way between the point of application and the blowing machine is generally connected to a filtering housing or material deflector that directs material back into the hopper.

The VAC-MATIC™ II machine is equipped with an electric start engine which can also be pull started if the battery is weak or dead. Its ergonomic design and pneumatic tires make it easy to maneuver around job sites. The compact design also saves valuable floor space in the transportation vehicle. The VAC-MATIC™ II is built with a heavy duty housing and impeller, removable front cover, and replaceable outlet port.

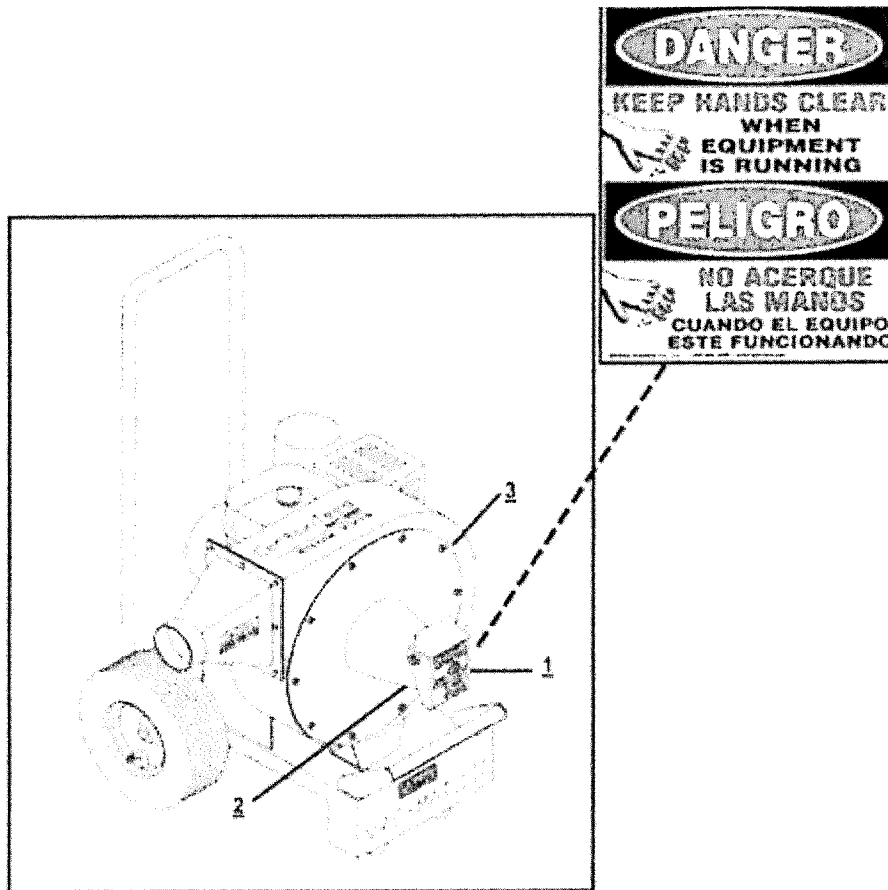
BEFORE YOU RUN THIS MACHINE....

PLEASE STUDY THE REST OF THIS MANUAL.

Please contact our sales department at 800-237-7841 for any optional accessories such as; hose, sleeves, clamps, vacuum wand, and material containment bags.

SAFETY

The VAC-MATIC™ II insulation vacuum machine is factory equipped with a material inlet safety door **1**. Do not remove this door for any reason! It will close during operation if the vacuum hose came loose from the inlet port **2**. You should always attach the vacuum hose to the front cover **3** by lifting the door and securing with a clamp to the inlet port before you start the machine. You will see the following label on this door.



WARNING: IF ANY FOREIGN OBJECT SHOULD ENTER THE MACHINE; SHUT DOWN THE ENGINE AND REMOVE THE KEY FROM THE IGNITION BEFORE RETRIEVING THE OBJECT. NEVER REACH INTO THE MACHINE WHILE IT IS IN OPERATION.

Before you start the VAC-MATIC™ II machine, make sure the vacuum housing is free of foreign objects. Make sure hose is attached firmly to the inlet port and that hose or containment bags are firmly attached to the outlet port. Make sure containment bags do not rest against the engine as this may start a fire or block the engine air cooling inlet screen. Make sure the front cover and outlet port are securely mounted to the machine.

During machine operation, never stand on the VAC-MATIC™ II machine. You may lose balance and fall onto the machine causing great bodily harm or tip it over potentially causing damage. Avoid vacuuming foreign objects such as screws, nails, pieces of wood, etc. as this will damage the inside of the vacuum machine. Never leave the machine unattended during operation.

CERTAINTEED MACHINE WORKS RECOMMENDS THAT THE OPERATOR'S WEAR PROPER SAFETY EQUIPMENT SUCH AS EYE AND EAR PROTECTION AS WELL AS AN "APPROVED" DUST MASK WHEN OPERATING THE VAC-MATIC™ II INSULATION VACUUM MACHINE.

OPERATION

1. Make sure vacuum is free of foreign objects.
2. Fill fuel tank with clean grade of fuel and check engine oil. Open fuel shut off valve.
3. Make sure cover plate and outlet port are firmly attached.
4. Connect hose firmly to inlet port and hose or containment bag to outlet port with clamps. Connect additional hose sections with thin wall couplings, 1/16 inch, to minimize restrictions. Containment bags and thin wall couplings can be purchased from CertainTeed Machine Works.
5. Clear area around outlet port.
6. Start engine in accordance with manufacturer's literature and increase engine speed until the throttle is at full stroke. The engine will run 3600 RPM.
7. You are now ready to begin the vacuuming process.

WARNING: DO NOT SMOKE WHEN OPERATING THE MACHINE.

WARNING: DO NOT SMOKE OR BE NEAR ANY FLAME WHILE REFUELING THE GAS TANK. DO NOT FILL TANK WHILE THE ENGINE IS RUNNING OR HOT. FUMES FROM FUEL ARE EXPLOSIVE AND CAN BE FATAL. FOLLOW ALL SAFETY PRECAUTIONS WHEN HANDLING ANY TYPE OF FUEL.

WARNING: CARBON MONOXIDE POISONING FROM ENGINE EXHAUST CAN BE FATAL. MAKE SURE TO OPERATE THE MACHINE IN A WELL VENTILATED AREA.

WARNING: ALWAYS OPERATE THE VAC-MATIC™ II MACHINE ON A LEVEL SURFACE. OPERATING THE MACHINE WHEN IT IS NOT LEVEL COULD LEAD TO ENGINE FAILURE OR THE MACHINE TIPPING OVER.

UPON COMPLETION OF THE JOB

1. Make sure vacuum hose is empty.
2. Move throttle to slow position and allow engine to run for several minutes.
3. Turn engine off.
4. Turn fuel shut off valve closed.
5. Remove hoses and or containment bag from machine.

WARNING: NEVER REPLACE A CONTAINMENT BAG WHILE THE ENGINE IS ON. ALWAYS SHUT DOWN THE ENGINE AND REMOVE THE KEY FROM THE IGNITION WHEN CHANGING BAGS. NEVER REMOVE OR REPLACE HOSES WHILE THE ENGINE IS ON.

WARNING: FAILURE TO TURN THE FUEL SHUT OFF VALVE CLOSED ON THE ENGINE DURING TRANSPORT CAN LEAD TO FUEL LEAKS AND CARBURATOR DAMAGE.

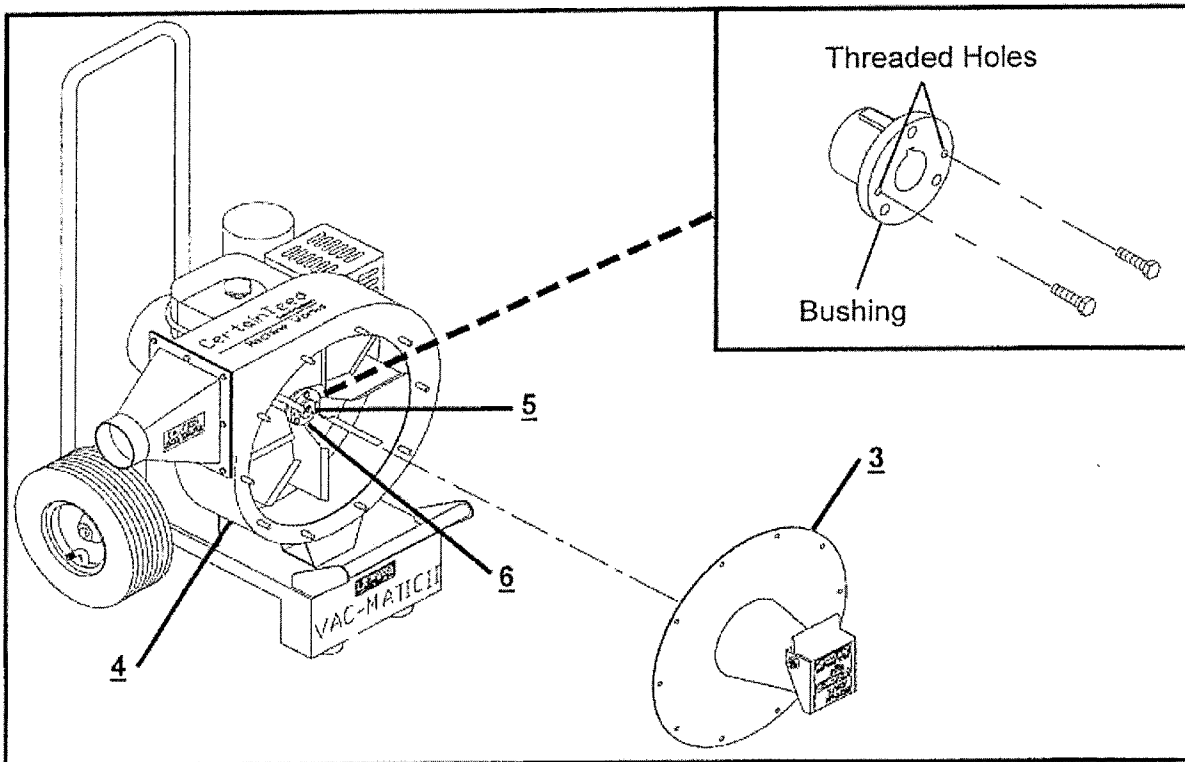
PREVENTIVE MAINTENANCE

Follow the engine manufacturer's recommendations in the manual that accompanied this manual when the VAC-MATIC™ II machine was first delivered. Check the oil level daily before start up. The battery is maintenance free. Keep battery cable connections tight, clean, and free of corrosion.

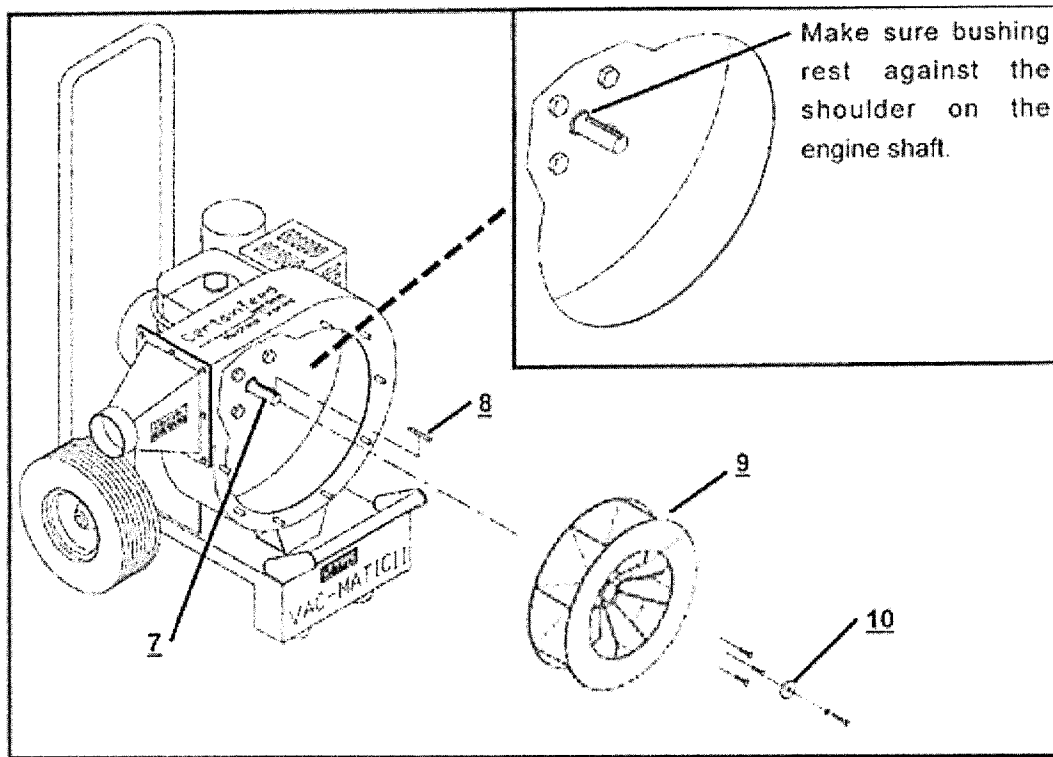
During normal operation of the VAC-MATIC™ II machine, keep the engine, vacuum housing and impeller clean of debris build up. Keep inlet safety door in good working condition.

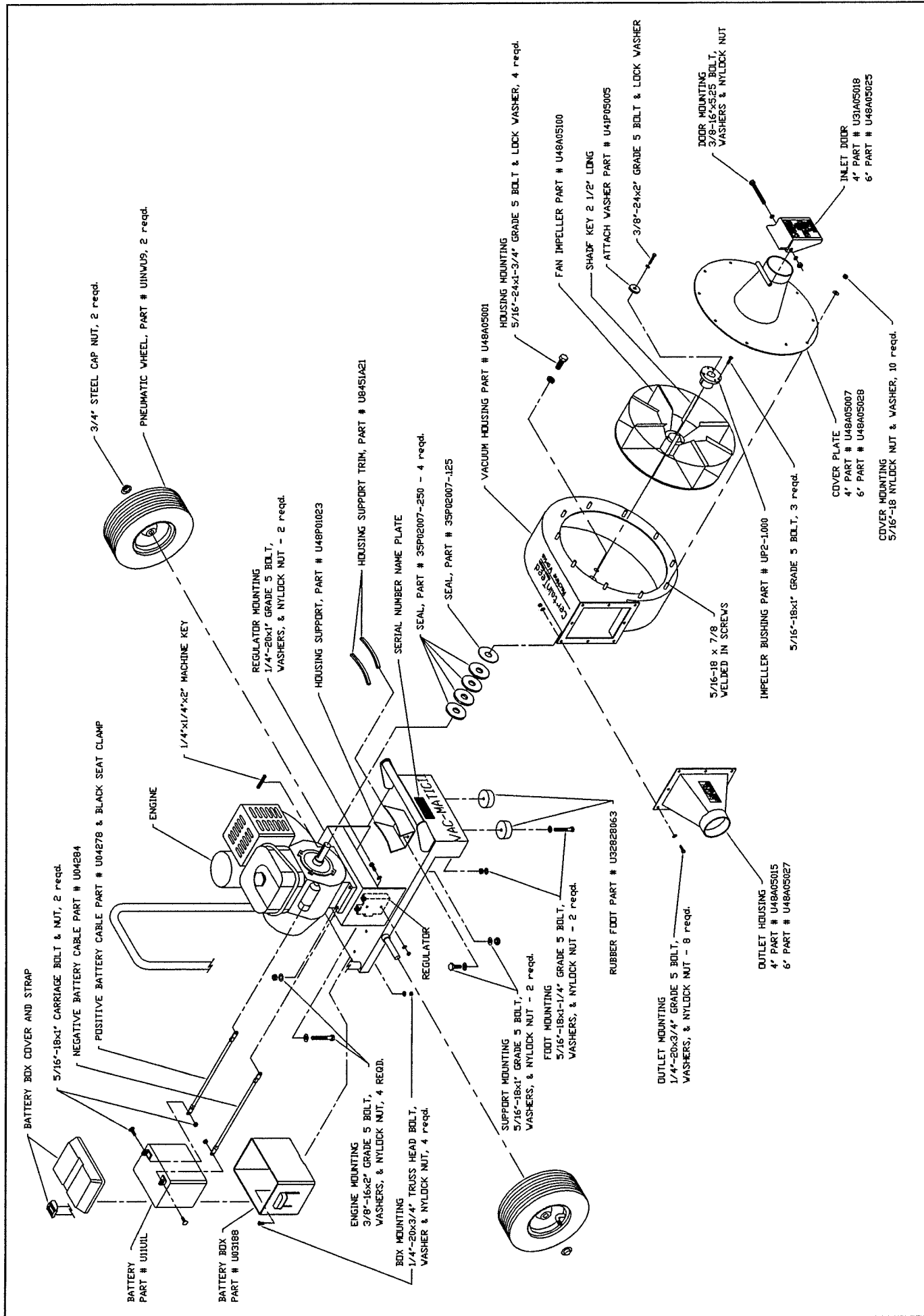
For any replacement of the impeller, use the following steps;

1. Remove front cover 3 from vacuum housing 4.
2. Remove attach washer and bolt 5 from engine shaft.
3. Remove the three bolts from the center bushing 6.
4. Insert two of the bolts in the threaded holes and tighten alternating back and forth. This will push the impeller of the bushing. Slide bushing off engine shaft and remove the old impeller from the housing.



5. Insert bushing into new impeller. Lubricate shaft with an anti-seize compound and slide onto engine shaft 7 up against the shoulder on shaft. The bushing should bottom out against the shoulder. Line up keyways on shaft and bushing and insert drive key 8.
6. Insert the three bolts into the holes in the bushings and thread into the impeller hub 9. Tighten the bolts using an alternating pattern and torque to 16 foot/pounds. Do not overtighten the bushing shoulder and impeller hub face.
7. Add attach washer 10, lock washer, and bolt to the end of engine shaft and torque to 30 foot/pounds.
8. Add cover back on housing and tighten all nuts.





TOLERANCES - UNLESS OTHERWISE NOTED		TITLE	
ONE PLACE DECIMAL	±0.05	VAC-MATIC II ASSEMBLY	
TWO PLACE DECIMAL	±0.03	MATERIAL	
THREE PLACE DECIMAL	±0.01	DRAWING NO. U48A05001	
ANGLE	±1°	PART NO. 48P-008	
FIN.		AC-1-10	
SCALE	N.T.S.	© ALL RIGHTS RESERVED	
		CERTIFICATE	
		MACHINE WORKS	
		WINTER HAVEN, FLORIDA 33908	

REF.	VAS	CHANGED TO	EFF.
		RECORD OF CHANGES	

