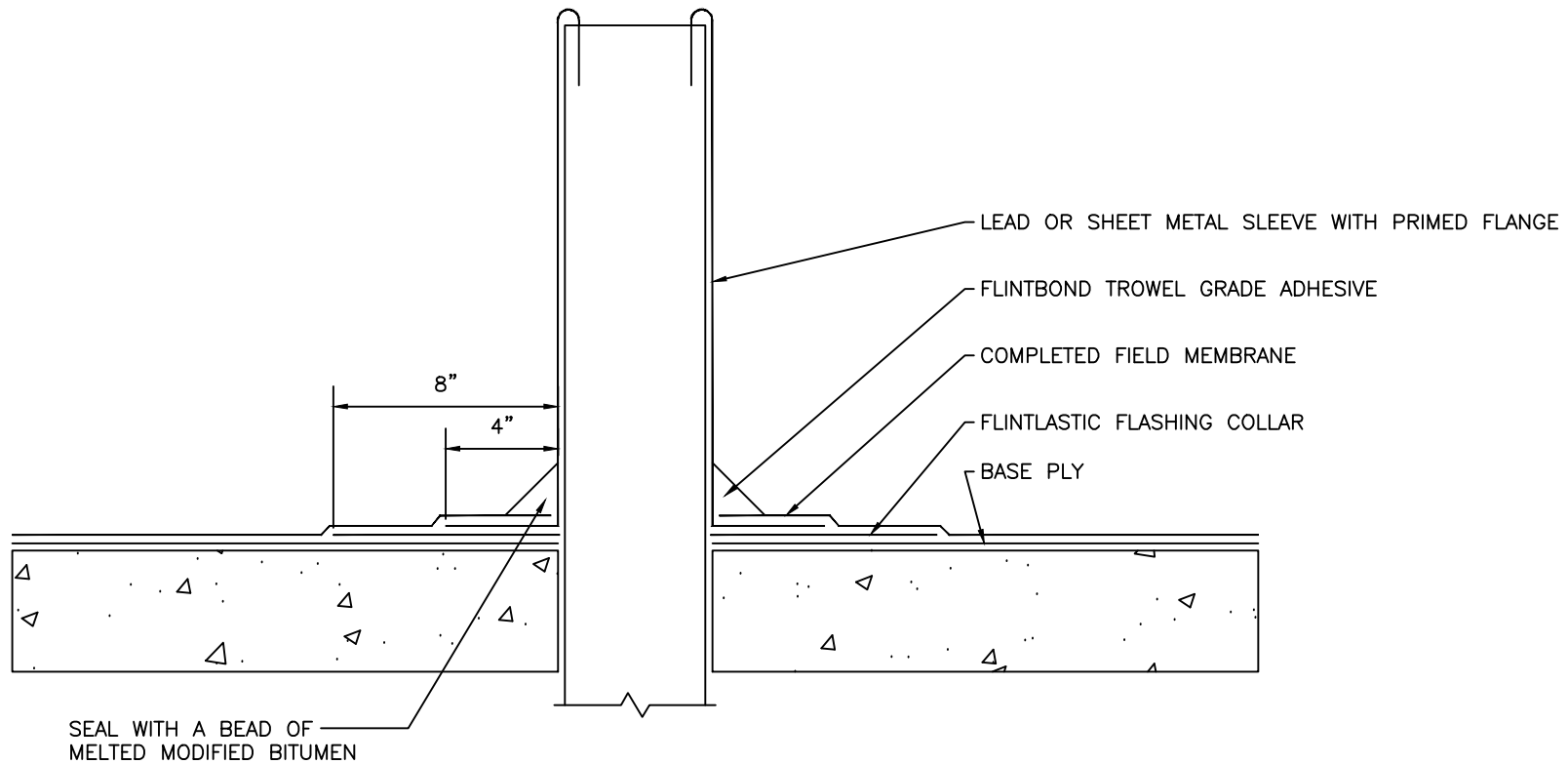


TORCH METHOD

HOT ASPHALT METHOD



Notes:

1. Flintlastic Flashing collar shall extend a minimum of 4" beyond flanges.
2. Metal flashing shall have a minimum 4" wide primed continuous flange.
3. Sheet metal sleeve flanges must also be nailed 3" o.c. $\frac{3}{4}$ " from perimeter.
4. Peen lead flashings 1" in vent pipe. Sheet metal sleeves are sealed with FlintBond Trowel Grade Adhesive

CertainTeed
SAINT-GOBAIN
Commercial Roofing

ISSUE DATE
10/11/2013

REVISION
B

DRAWING NUMBER

CT-11

SCALE

Not to Scale

Pipe Flashing - Lead or Sheet Metal