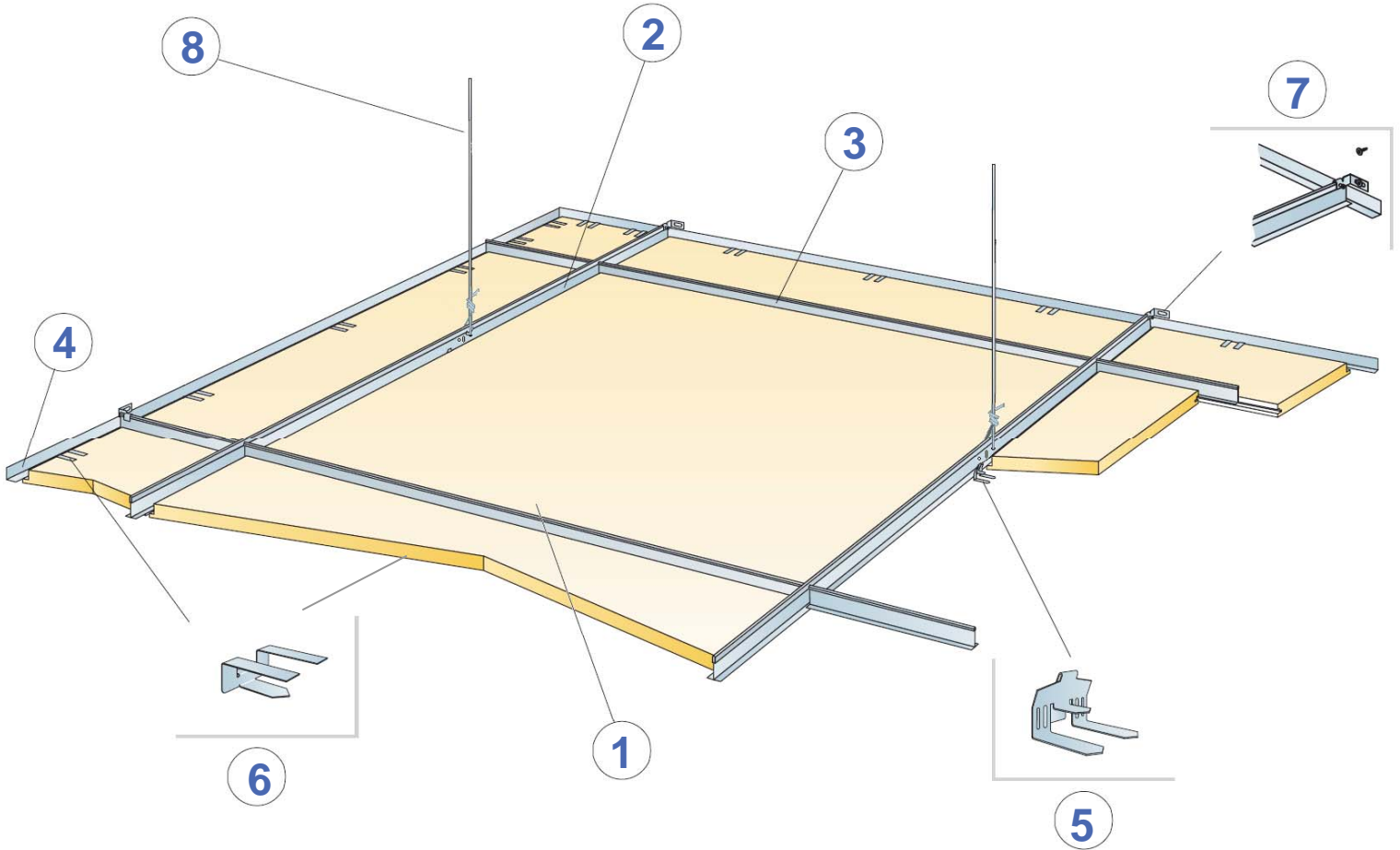


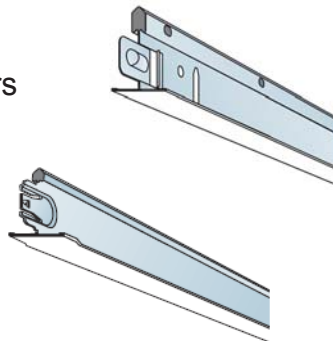
## Ecophon® Focus™ Dg 4x4 Installation Instructions

*(Suited for seismic categories A, B, C, D, E, F)*

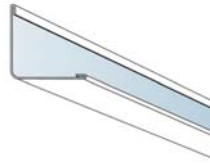


### Components:

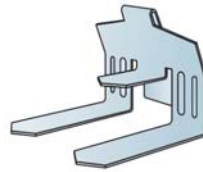
1. Ecophon Focus Dg Panel (4'x4')
2. CertainTeed 15/16" Classic Main Runners
3. CertainTeed 15/16" Classic Cross Tees



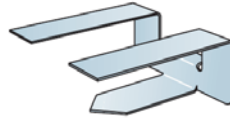
4. CertainTeed Ceilings 15/16" Wall Angle



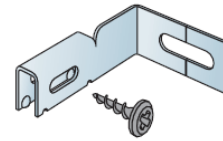
5. Connect Edge Clip Dg 0546  
(2 per panel / REQUIRED)



6. Connect DG25 Support Clip 0548



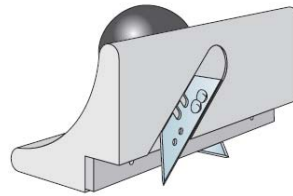
7. **\*\*Optional\*\*** Connect Wall Bracket T-profile 0524  
(All required screws by others)



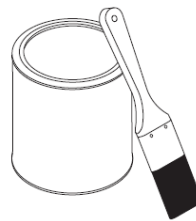
8. 12 Gauge Hanger Wire

Additional Components:

9. Connect DG Cutting Tool 0991



10. Connect Edge Sealant 0691



---

*It is important to note that grid installation methodology may require alteration dictated by the project's declared seismic category*

**Refer to ICC ESR 3336 for additional accessories and installation methods that may be required per the project's seismic category**

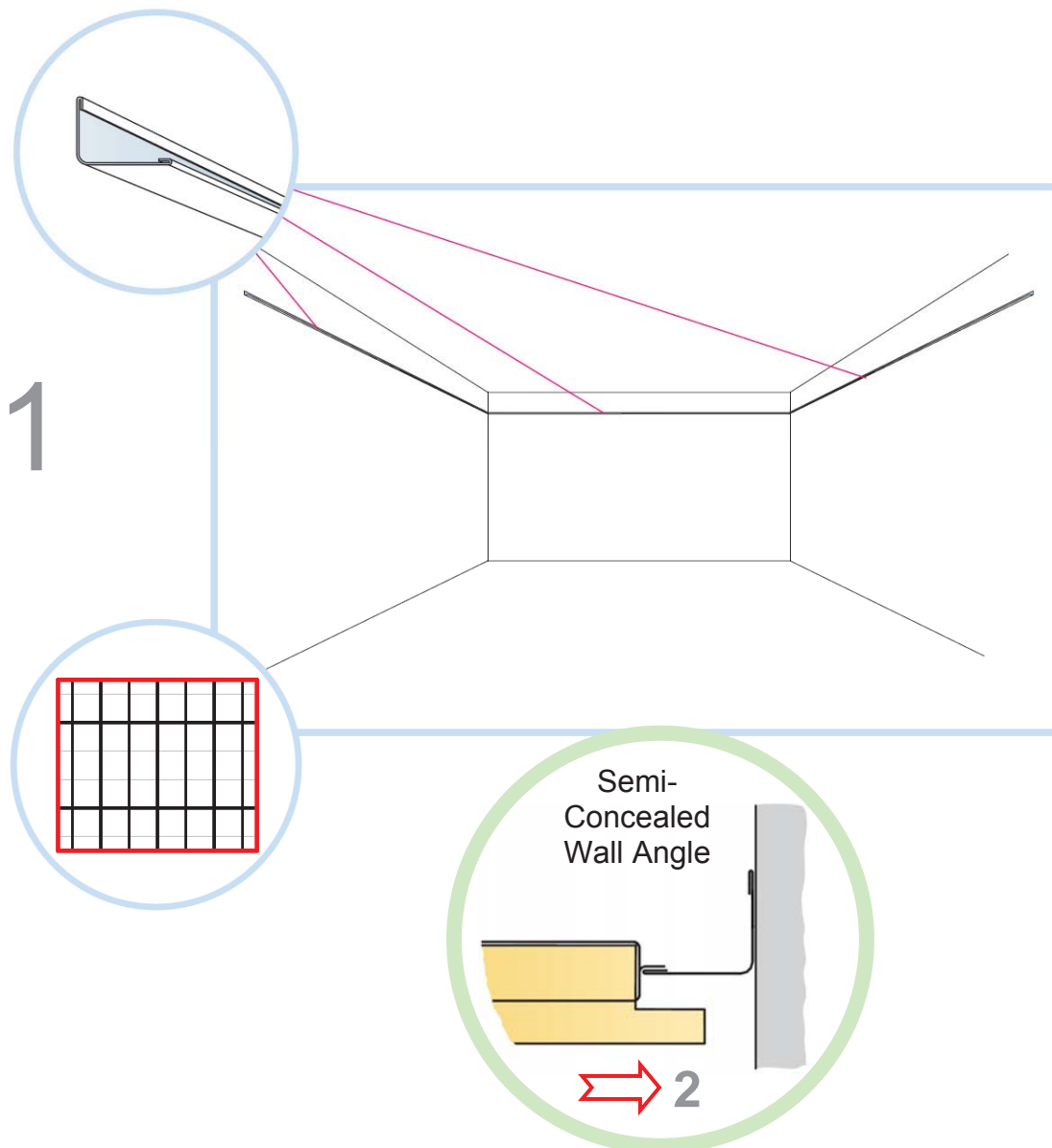
**Install in conditions that do not exceed 70% relative humidity and 77-degrees Fahrenheit**

*Wear clean white cotton gloves when handling Focus Dg panels.*

Pre-Installation: Please read CertainTeed Ceiling's Pre-Installation Instructions before you begin these installation instructions. Note that the finished surface of Focus Dg Panels is 1/2" below the grid. **Focus Dg is an extremely precise system and the tolerance is low. The grid system must be square and level.**

### 1. Installing Wall Angle

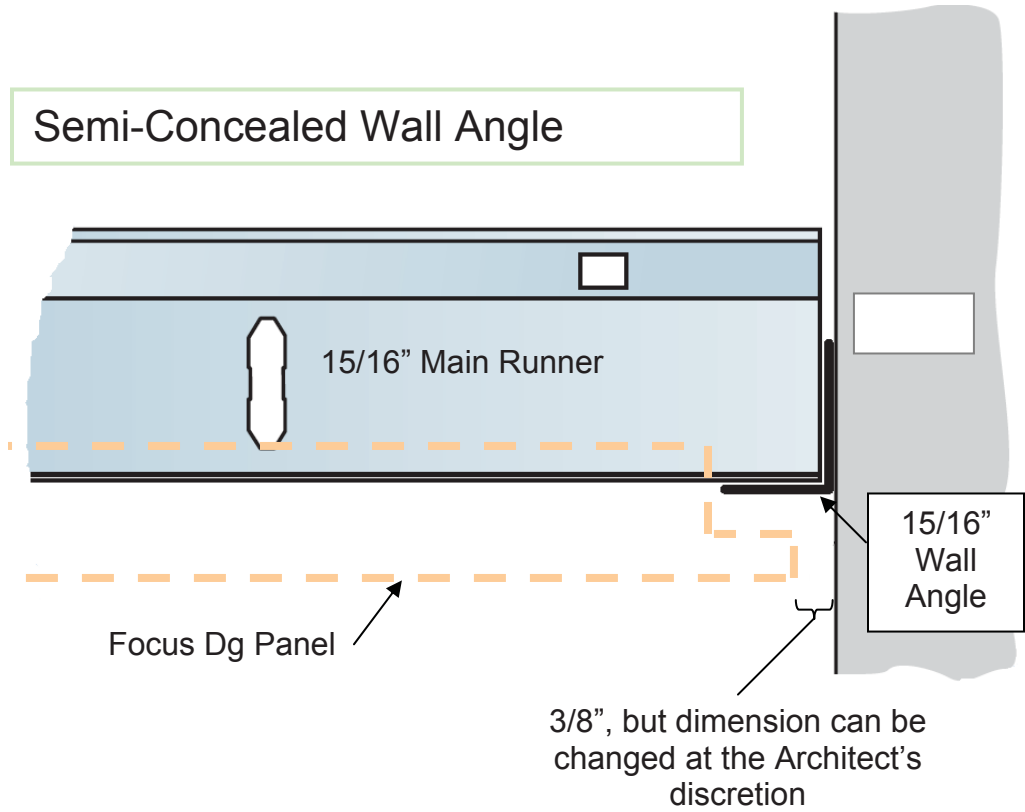
- a. To install Wall Angle choose a height at least 3" below joists, existing ceilings, ducts, pipes, or wiring, to ensure clearance and maneuverability required to install the panels (integration with diffusers and light fixtures may dictate a greater depth of system).
- b. Mark the desired height for the finished surface of the ceiling on all four walls (see Steps 2-3).
- c. Attach Wall Angle using appropriate fasteners.



# Perimeter Detail

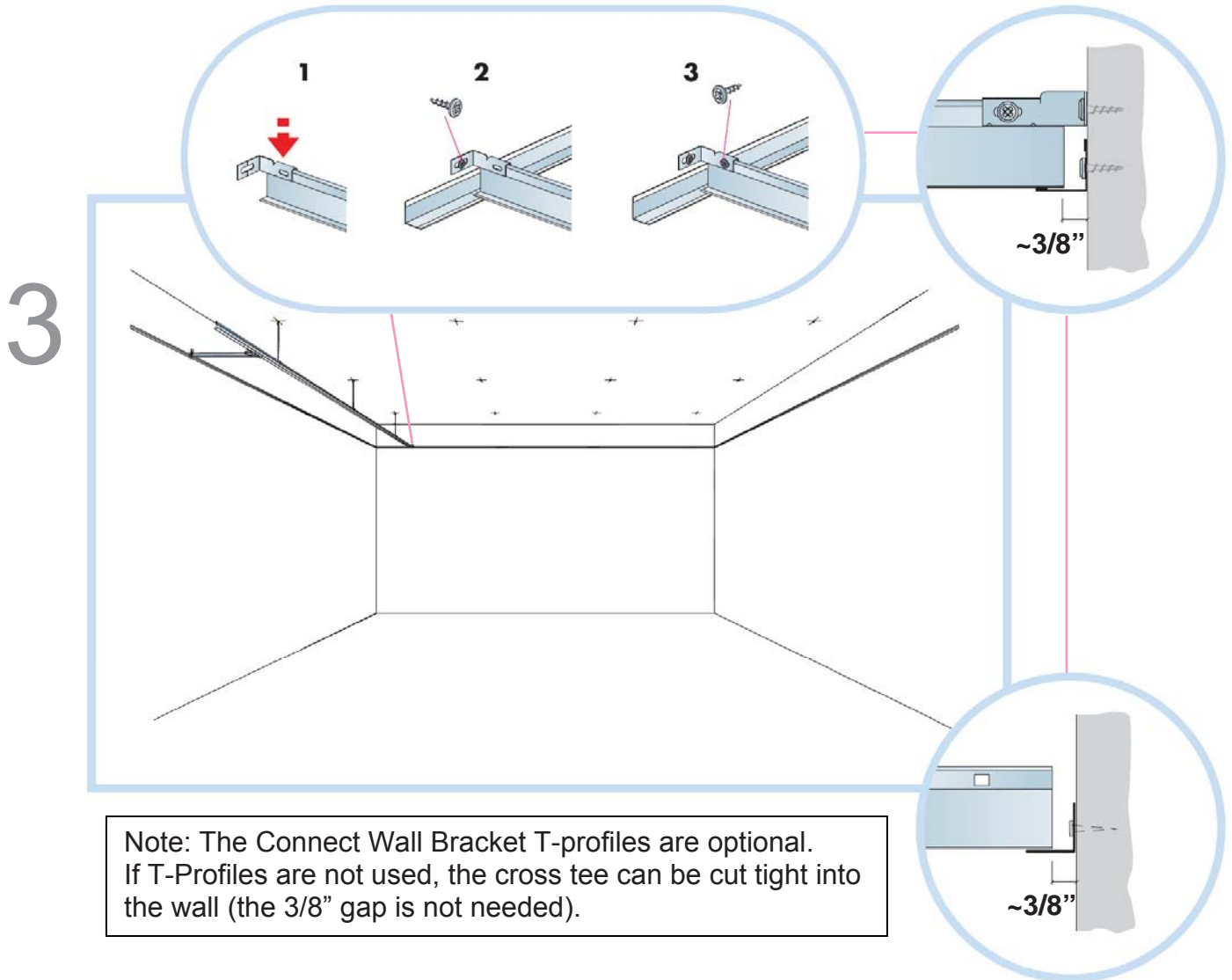
2

## Semi-Concealed Wall Angle



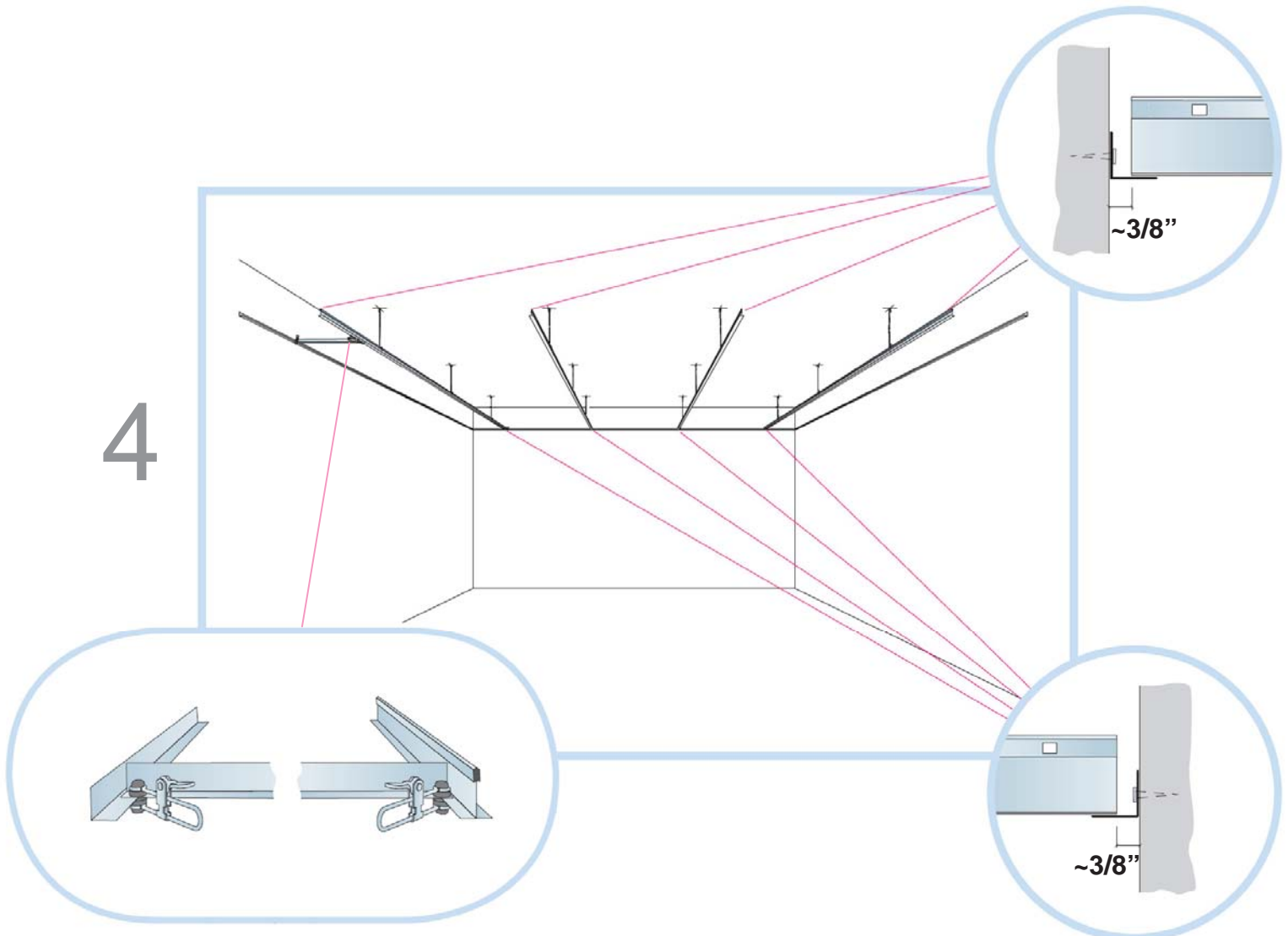
### 3. Install Hangers

- a. Mark lines for each of the main runners (4' on center for 2x2' & 2'x4' panels, 2' on center for 2x5", 2'x6', & 2'x8').
- b. Pull a string line along the path that the first main runner will take. Attach the line directly below the wall molding.
- c. Hangers are placed every 48" along the main runners, at a max of 24" from the walls.



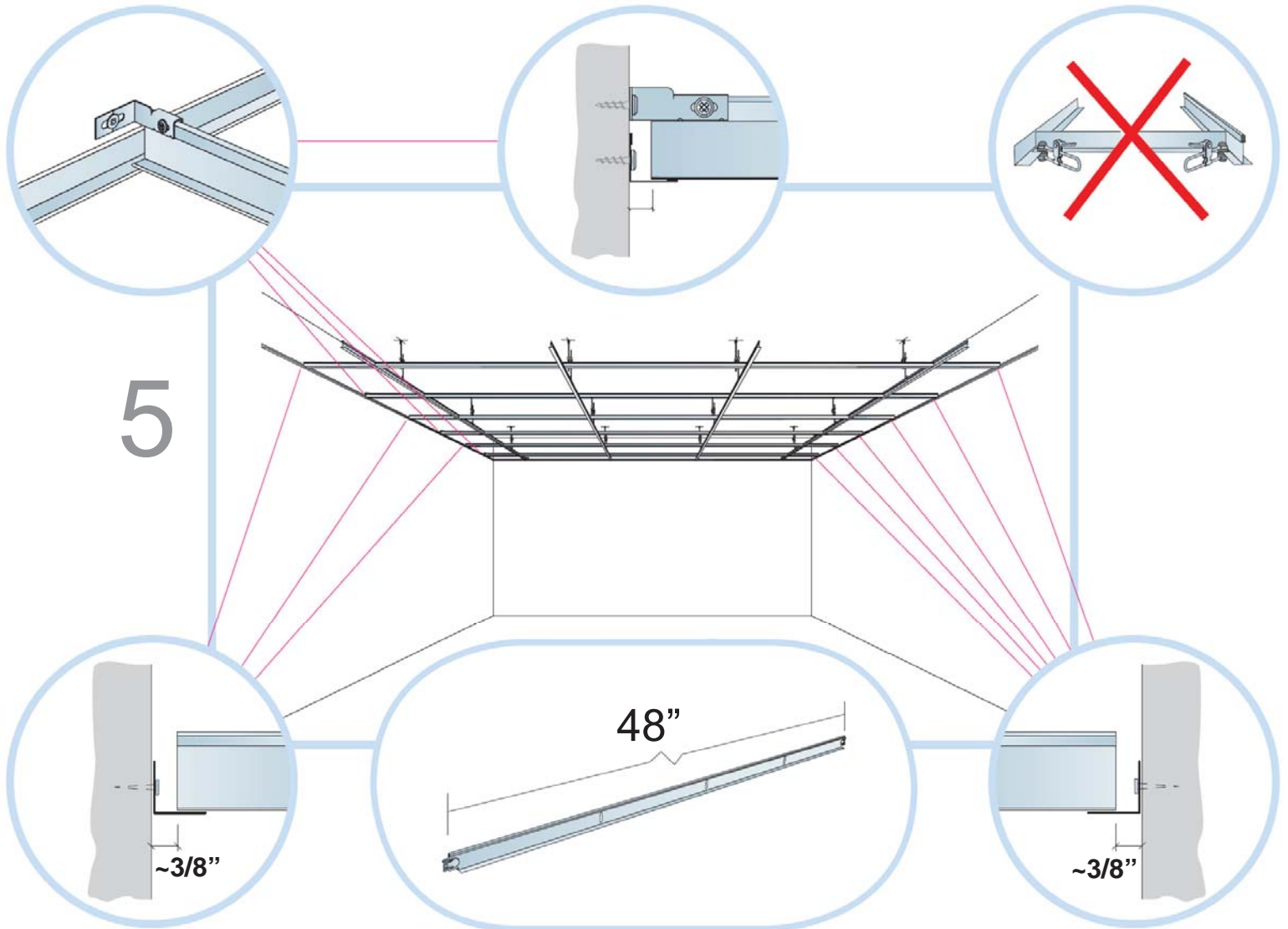
4. Install the main runners

- a. Install the first section of main runner, with cut edge sitting on the wall molding.
- b. Attach the main runner to wire.
- c. Repeat for the next sections of main runner.
- d. Make sure that all of the main runners are hanging at the same level



5. Install Cross Tees and Border Tees

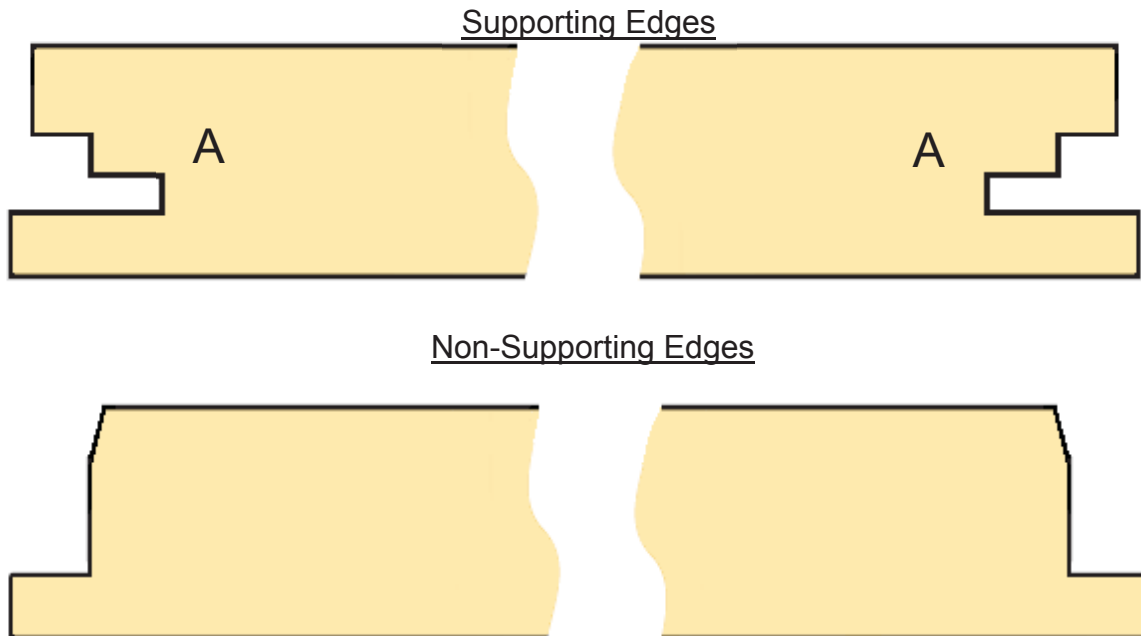
- a. Cut in border cross tees. Use a string line to make sure the main runners are straight.
- b. Install cross tees as needed.
- c. **Check to see if the suspension system is square. Make adjustments as needed.**



## 6. Install Field Panels

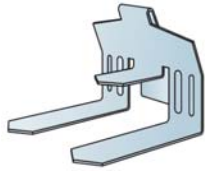
(Note: 4'x 4' panels require two people to install each panel).

*Before you begin installing the panels, you must understand that Focus Dg panels have 2 supporting edges and 2 non-supporting edges. As illustrated below:*

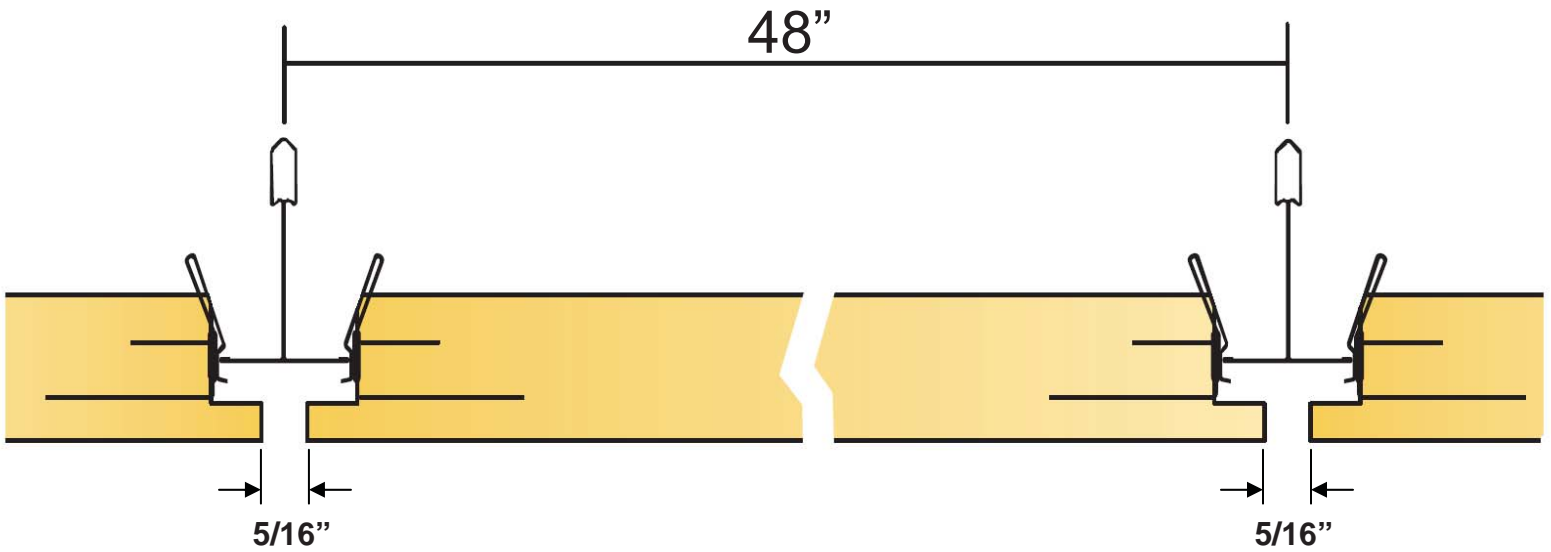


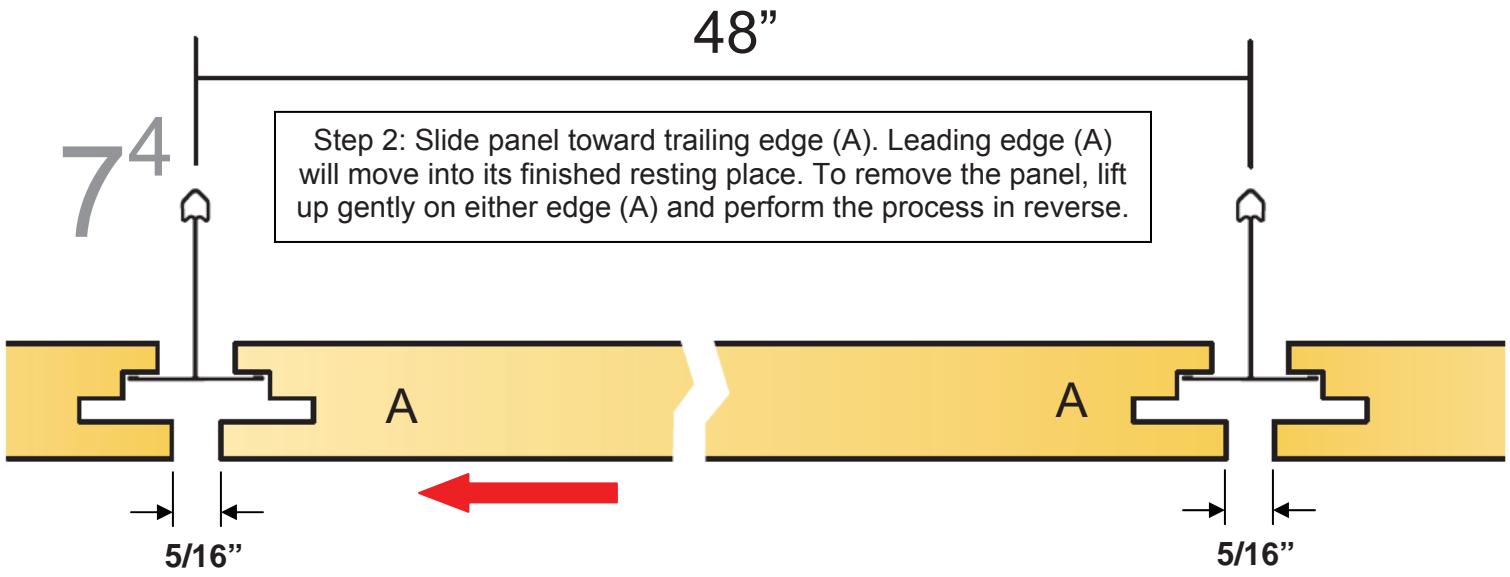
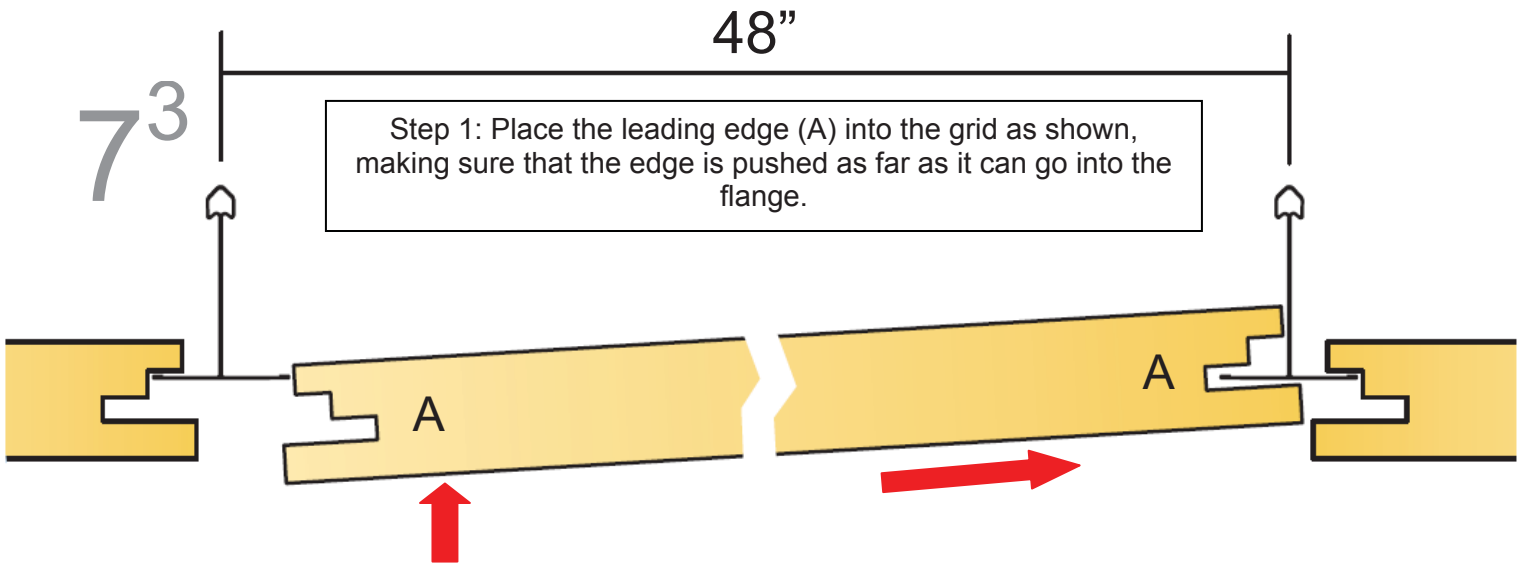
- a. **Wear white cotton gloves, so that the dirt and oil from your hands, does not get on the panels. (If gloves become soiled, replace them immediately).**
- b. Start installing panels in the middle of the field.
- c. To install Focus Dg Panels, Follow Step 7<sup>1</sup> - 7<sup>5</sup>.

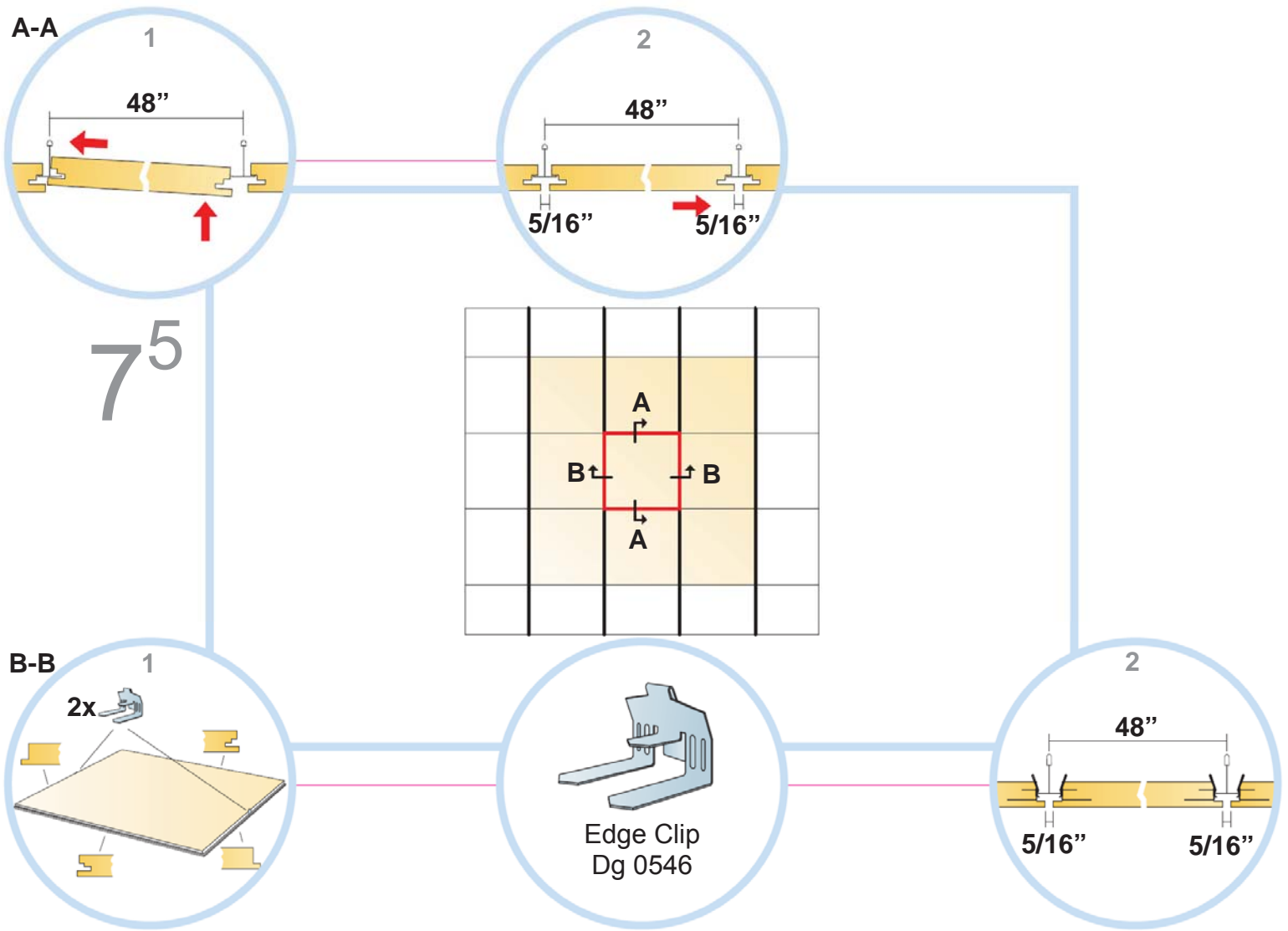




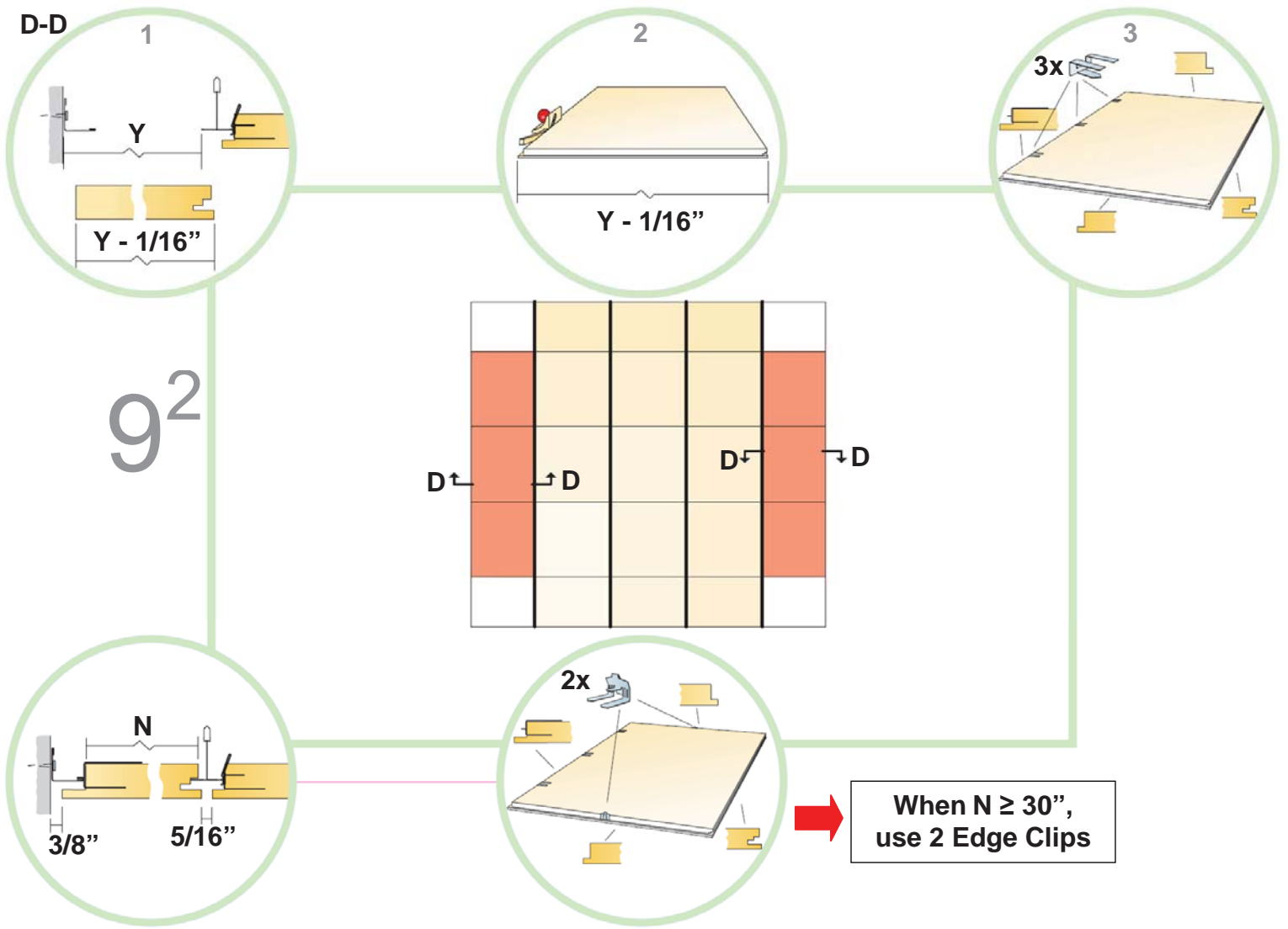
**Mandatory:** insert one Connect Edge Clip at or near the mid-point of each non-supporting edge.

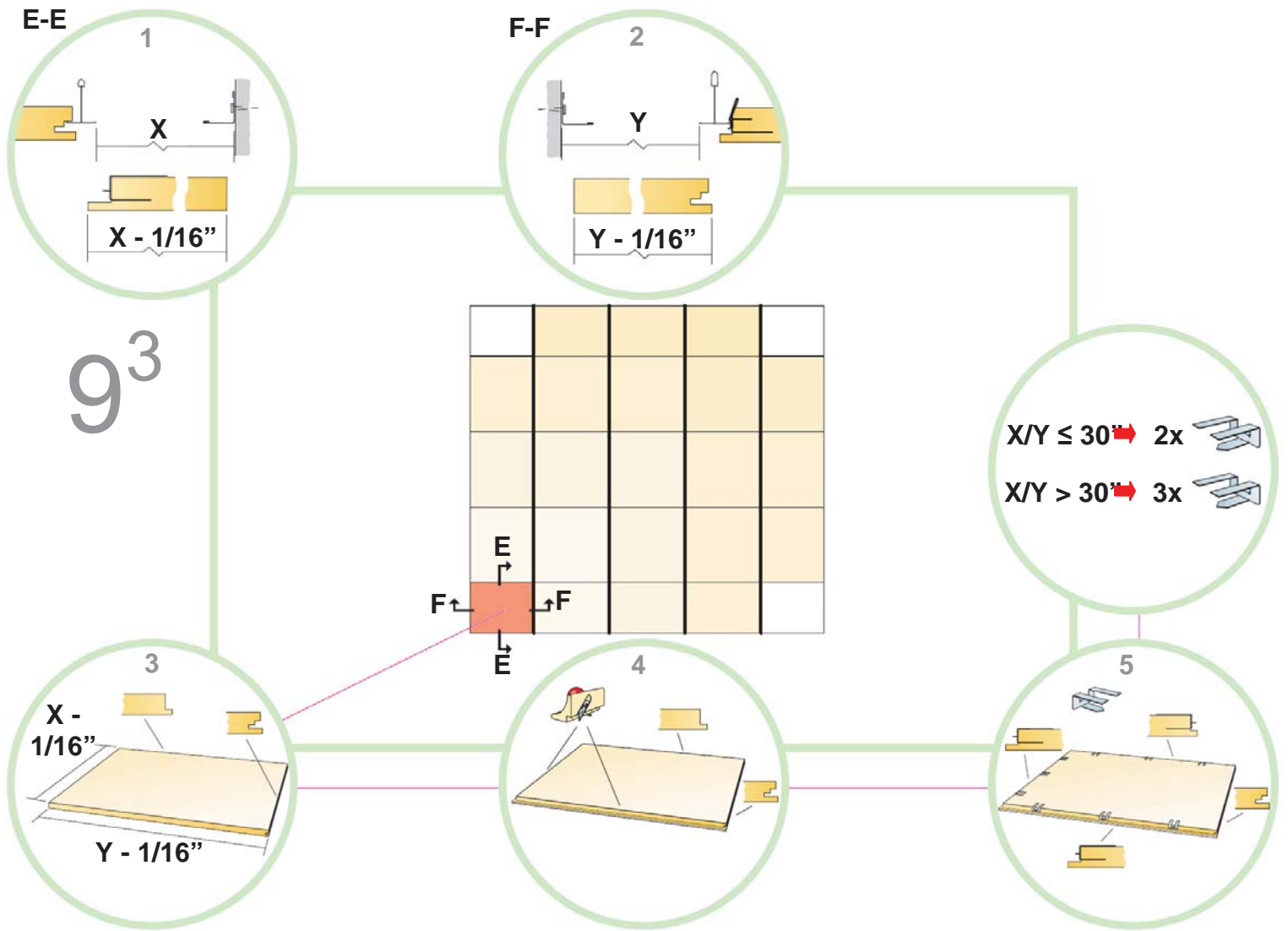


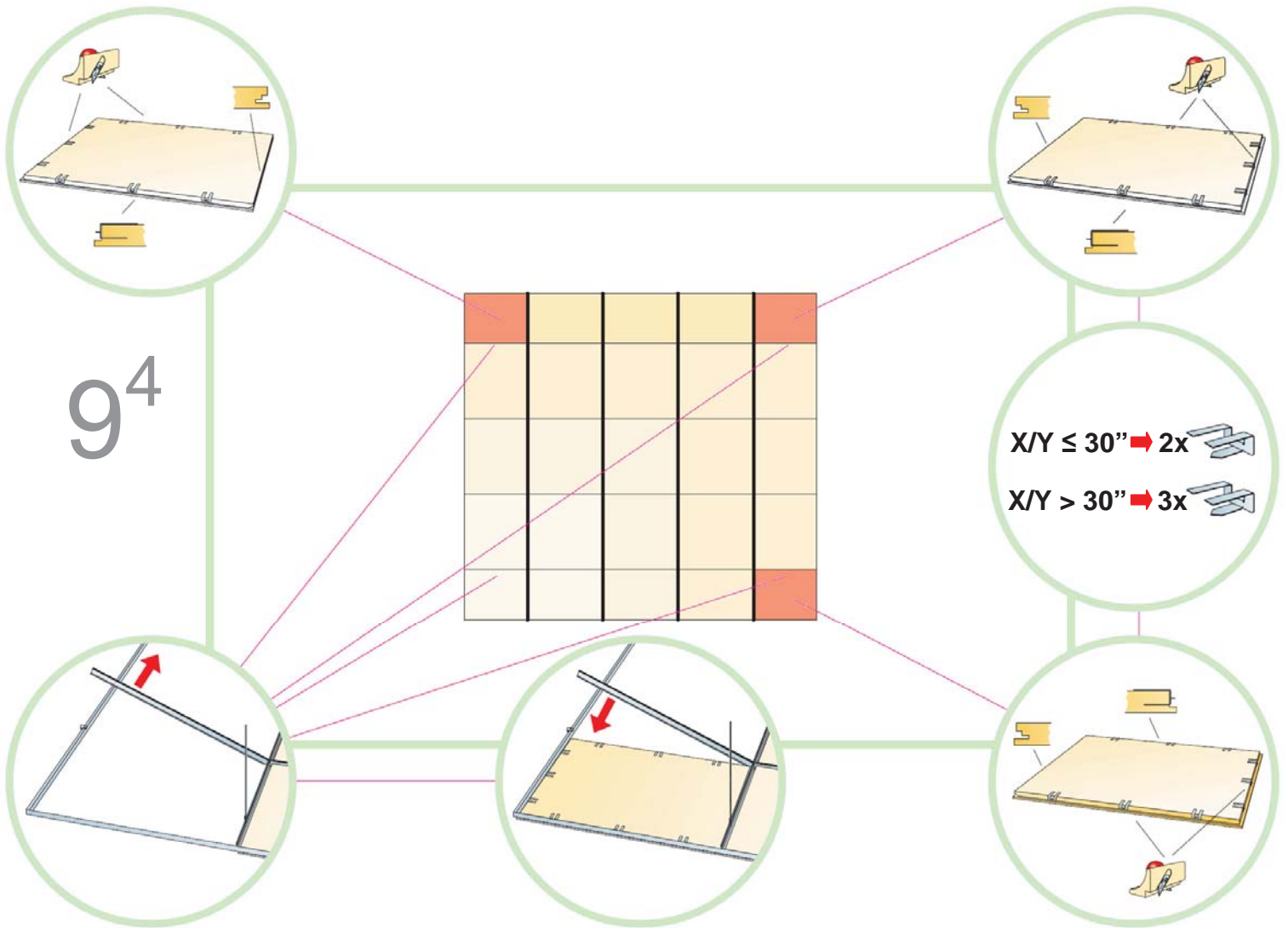












**FOR PRODUCT AND INSTALLATION QUESTIONS:**

- Call 1-800-233-8990 (Monday-Thursday: 7:30 am-6:30 pm; Friday: 7:30 am-6:00 pm EST); English, Spanish and French speakers available. Or email [ceilingtechnicalservices@certainteed.com](mailto:ceilingtechnicalservices@certainteed.com).

**ASK ABOUT ALL OF OUR OTHER CERTAINTEED® PRODUCTS AND SYSTEMS:**

ROOFING • SIDING • TRIM • DECKING • RAILING • FENCE  
 GYPSUM • CEILINGS • INSULATION

[www.certainteed.com](http://www.certainteed.com)

CertainTeed Corporation  
 20 Moores Road  
 Malvern, PA 19355

Professional: 800-233-8990  
 Consumer: 800-782-8777

© 5/10 CertainTeed Corporation  
 Code No. CTC-4808