

CYLINDRIX MULTIPLE RECESSED 2 LIGHT

LED

CYLR-2
2LT LED

APPLICATION:

Accent and display lighting for retail, commercial and hospitality environments

CONSTRUCTION:

Stamped steel mounting frame with integral mounting bars
Thermally protected
Steel ballast housing
Steel upper housing and laser cut trim ring
Die-cast lens holder, optical housing
Formed aluminum yoke
Spun aluminum baffle painted matte black
Extruded aluminum heat sink
Powder coat paint

OPTICS:

0-45° x 45° tilt, 360°+ rotation
Available in a variety of beam spreads
LED:
Color Temp Options: 2700K (2725K ±175)
3000K (3045K ±175)
CRI: 82 typ.
Life: 50,000 hrs
Lumen Maintenance: >70% of initial lumens @ 50,000 hrs
Lumen output: NF 453 typ @ 3000K
FL 440 typ @ 3000K
WF 450 typ @ 3000K
VWF 453 typ @ 3000K

ELECTRICAL:

Electronic constant current LED driver
120v or 277v input
Dimming down to less than 20%, available on 120v only with ELV (reverse phase) dimming equipment, consult factory for approved device list

This product complies with IEEE C62.41 for surge endurance up to 2.5KV. Amerlux recommends using additional surge protection with this unit (supplied by others), surge damage is not covered by warranty.

MOUNTING:

For use in T-grid or sheet rock ceilings

LABELING:

 US
Damp location

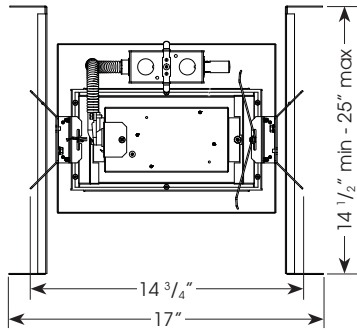


PROJECT:

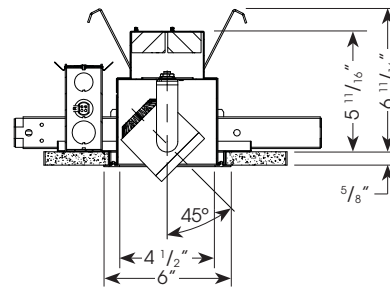
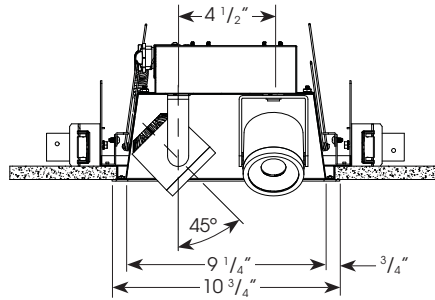
TYPE:



Electrostatic sensitive device, observe precautions for handling



Ceiling Cut Out Dimension: 5 9/16" x 10 5/16"



ELECTRICAL

Driver	Input Watts	2 x10w Amps*
Electronic 120v	20	.17
277v	20	.07

Class 2 constant current driver, 700 mA

ORDERING INFORMATION:

Model	# Heads	Wattage	Lamp Type	Ballast	Housing/Head Finish	Voltage	Beam Spreads		Trim Ring Finish	Color Temp	Options/Accessories
							Head 1	Head 2			
CYLR	2	10	LED	E - electronic	WT - white texture BT - black texture ST - silver texture - (other RAL)	120 277	NF FL WF VWF	NF FL WF VWF	WT - white texture	2700 3000	DIM - dimming (120v) SN - snoot (1/2" length standard), specify color (WT, BT, ST) HEX - hexcell louver
							NF - narrow flood, 17° FL - flood, 28° WF - wide flood, 34° VWF - very wide flood, 48°				

Example: CYLR-2-10-LED-E-WT-120-FL-FL-WT-2700

Cat #:

Amerlux reserves the right to change details that do not affect overall function and performance.

10 year warranty
AMERLUX LED
(see website for details)

CYLINDRIX MULTIPLE RECESSED 2 LIGHT

LED



TYPE:

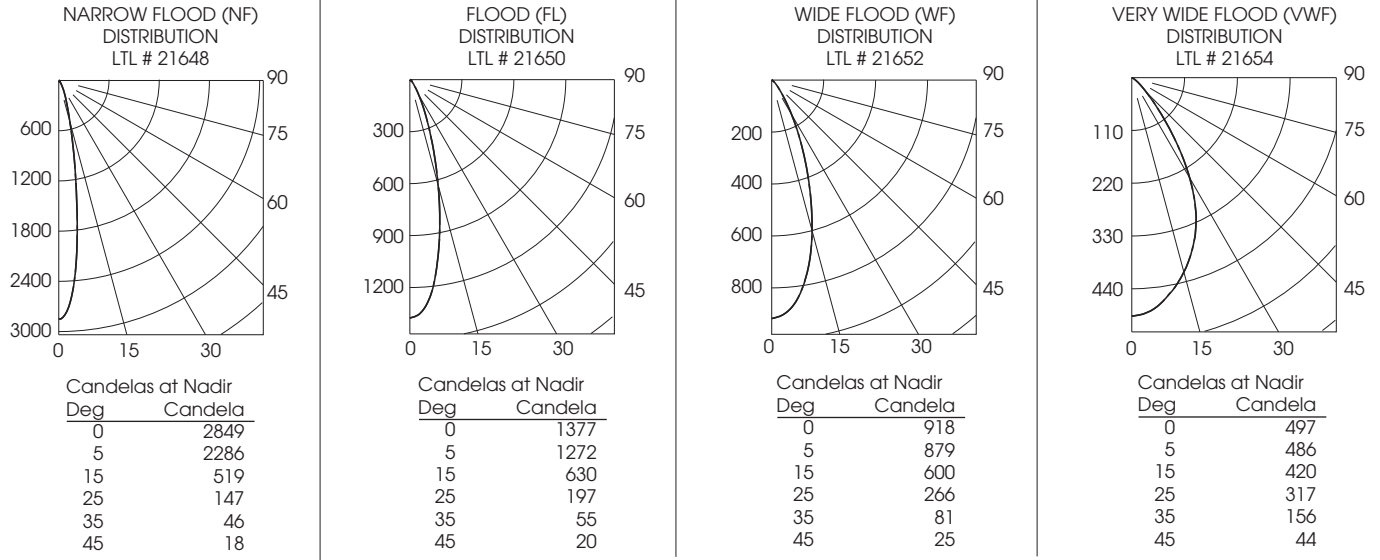


FIXTURE DATA:

Complete photometric data (ies format) available upon request.

Note: Data per head

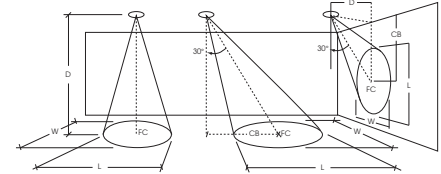
10W LED



APPLICATION DATA:

Notes and Definitions:

Beam spread is to 50% center beam candlepower (CBCP).
 D=Distance to floor or wall.
 FC=Footcandles on floor or wall at center beam aiming location.
 L=Effective Visual Beam length in feet (50% of maximum footcandle level).
 W=Effective Visual Beam width in feet (50% of maximum footcandle level).
 CB=Distance across or down to center beam location.



	0° Aiming Angle Horizontal Footcandles				30° Aiming Angle Horizontal Footcandles					30° Aiming Angle Vertical Footcandles					60° Aiming Angle Vertical Footcandles				
	D	FC	L	W	D	FC	L	W	CB	D	FC	L	W	CB	D	FC	L	W	CB
NARROW FLOOD	5.0'	114	1.4	1.4	5.0'	71	2.2	1.7	3.0	3.0'	48	3.0	1.7	4.3	3.0'	204	1.2	1.0	1.8
	7.5'	51	2.4	2.4	7.5'	34	3.0	2.7	4.0	4.0'	27	3.9	2.2	5.8	4.0'	118	1.6	1.4	2.3
	10.0'	29	3.1	3.1	10.0'	19	4.0	3.4	5.0	5.0'	18	4.8	2.7	7.3	5.0'	76	1.9	1.7	2.8
	12.5'	18	3.7	3.7	12.5'	12	4.9	4.3	7.0	6.0'	12	5.8	3.2	8.8	6.0'	53	2.3	2.0	3.3
FLOOD	5.0'	55	2.5	2.5	5.0'	35	3.2	2.8	2.0	3.0'	29	3.5	2.4	3.8	3.0'	100	1.9	1.7	1.3
	7.5'	25	3.6	3.6	7.5'	17	4.5	4.0	4.0	4.0'	16	4.7	3.1	4.8	4.0'	58	2.4	2.1	1.7
	10.0'	14	4.8	4.8	10.0'	10	5.9	5.3	5.0	5.0'	10	5.9	3.9	6.3	5.0'	38	3.0	2.7	2.3
	12.5'	9	5.9	5.9	12.5'	6	7.3	6.6	6.0	6.0'	7	7.1	4.7	7.3	6.0'	26	3.5	3.2	2.8
WIDE FLOOD	5.0'	37	3.1	3.1	5.0'	26	3.7	3.3	2.0	3.0'	24	3.6	2.7	3.2	3.0'	73	2.2	2.0	1.3
	7.5'	16	4.7	4.7	7.5'	12	5.5	5.1	3.0	4.0'	13	4.8	3.6	4.3	4.0'	41	2.9	2.7	1.7
	10.0'	9	6.1	6.1	10.0'	7	7.3	6.8	4.0	5.0'	9	6.0	4.5	5.2	5.0'	26	3.6	3.4	2.3
	12.5'	6	7.6	7.6	12.5'	4	9.1	8.4	5.0	6.0'	6	7.2	5.5	6.2	6.0'	18	4.4	4.0	2.8
VERY WIDE FLOOD	5.0'	20	4.5	4.5	5.0'	15	4.8	4.8	2.0	3.0'	19	3.2	3.3	2.3	3.0'	42	2.8	2.9	0.7
	7.5'	9	6.7	6.7	7.5'	7	7.1	7.3	2.0	4.0'	11	4.3	4.4	2.8	4.0'	24	3.7	3.8	1.3
	10.0'	5	8.9	8.9	10.0'	4	9.3	9.6	3.0	5.0'	7	5.3	5.5	3.8	5.0'	15	4.7	4.8	1.8
	12.5'	3	11.1	11.1	12.5'	2	11.7	12.1	3.0	6.0'	5	6.5	6.7	4.3	6.0'	11	5.6	5.7	1.8