

Ecophon® Akusto™ One SQ

Installation Manual

DESIGN AND SPECIFICATIONS

Use of the Product

Akusto One SQ panels are intended for use as wall-mounted sound absorbers, with, or instead of, a wall-to-wall acoustical ceiling in order to achieve excellent acoustic performance in a space.

Size Availability (nominal)

300mm x 1200mm (≈11.81" x 47.25")
600mm x 600mm (≈23.62" x 23.62")
600mm x 1200mm (≈23.62" x 47.25")
Ø600mm (≈23.62")
Ø800mm (≈31.50")
Ø1200mm (≈47.25")

Note: Actual dimensions are 8mm less than nominal size

Surfaces

Ecophon Akusto One SQ panels are manufactured from high-density fiberglass, boasting an industry-high recycled content [70% post-consumer]. Featuring the impact-resistant, smooth Texona fabric, Akusto One SQ is available in 13 colors with straight cut edges, painted in white or gray.

Accessibility

The panels are easily demountable.

Influence of Climate

Install in conditions that do not exceed 70% relative humidity and 77-degrees Fahrenheit

Edge Detail

The panels have square edges that are fully painted.

Attachment

Method 1:

The first method includes the use of a mounting bar in conjunction with anchors manually installed in the back of the panels.

Method 2:

The second method includes the use of impaling brackets upon which the panels are set.

Weight

Akusto One SQ is available in various sizes with a weight of 4.4 - 9.9 lbs.

Cleaning

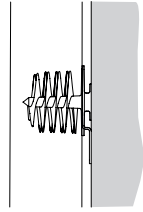
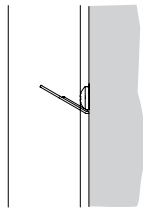
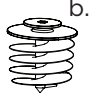
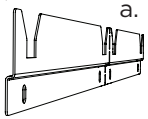
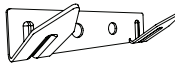
Weekly dusting and vacuum cleaning (Texona surfaces).

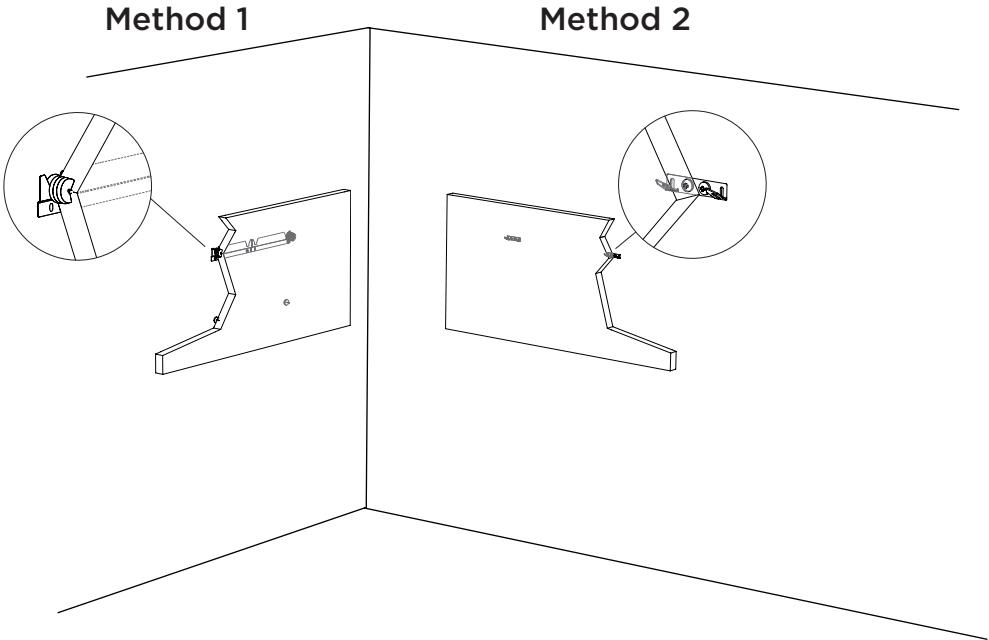
Fire Performance

Panels have been tested according to ASTM E84 (Flame Spread ≤ 25) and ASTM E1263 (Smoke Development ≤ 50).

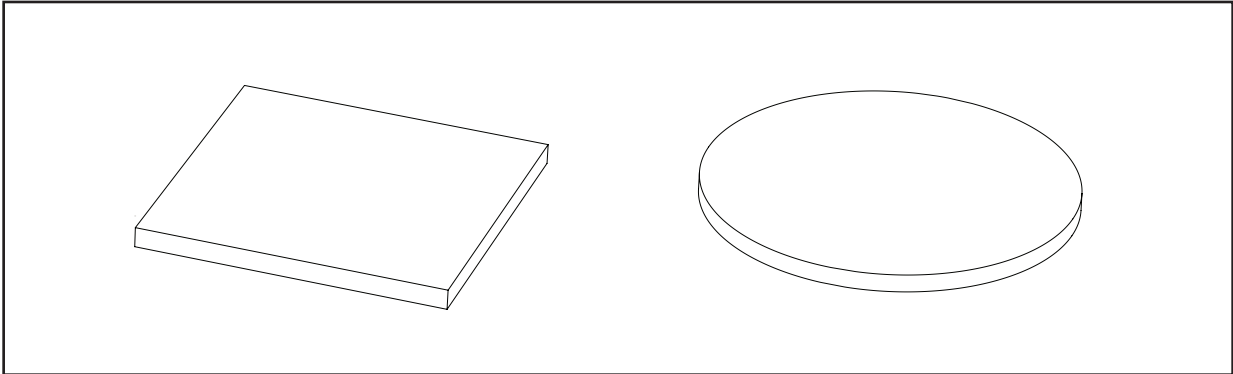
Installation for Ecophon® Akusto™ One SQ Wall Panels

Read the entire manual before installing.

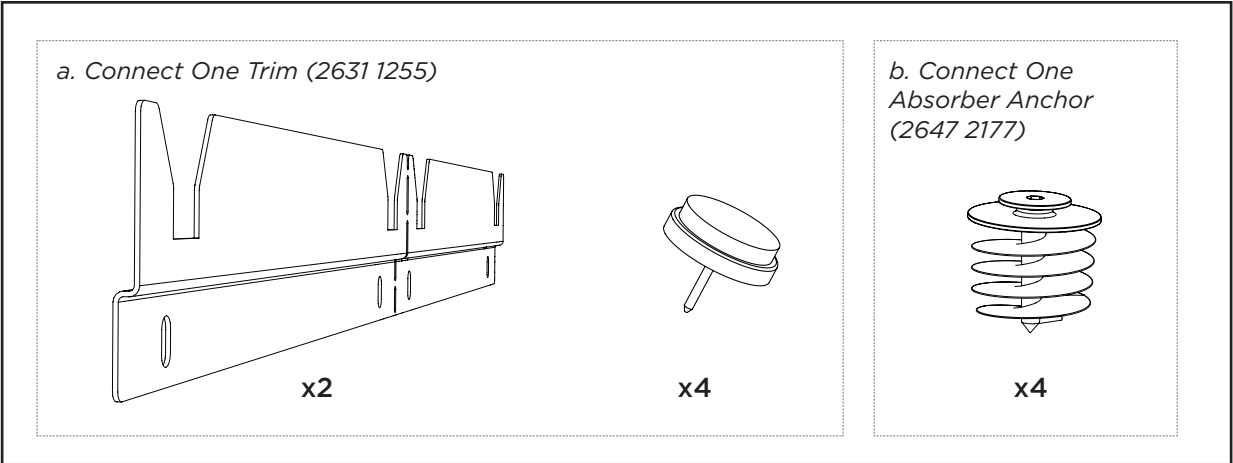
<p>Method 1</p>  <p>48mm (≈1.89")</p>	<p>Method 2</p>  <p>44mm (≈1.73")</p>
<p>Attachment Methods</p> <p>1. Attachment with mounting bar (a) and anchors (b):</p> <ul style="list-style-type: none">a. Connect One Trim (2631 1255)b. Connect One Absorber Anchor (2647 2177)   <p>2. Attachment with impaling brackets:</p> <p>Connect One Hook Fixing (2630 0016)</p> 	



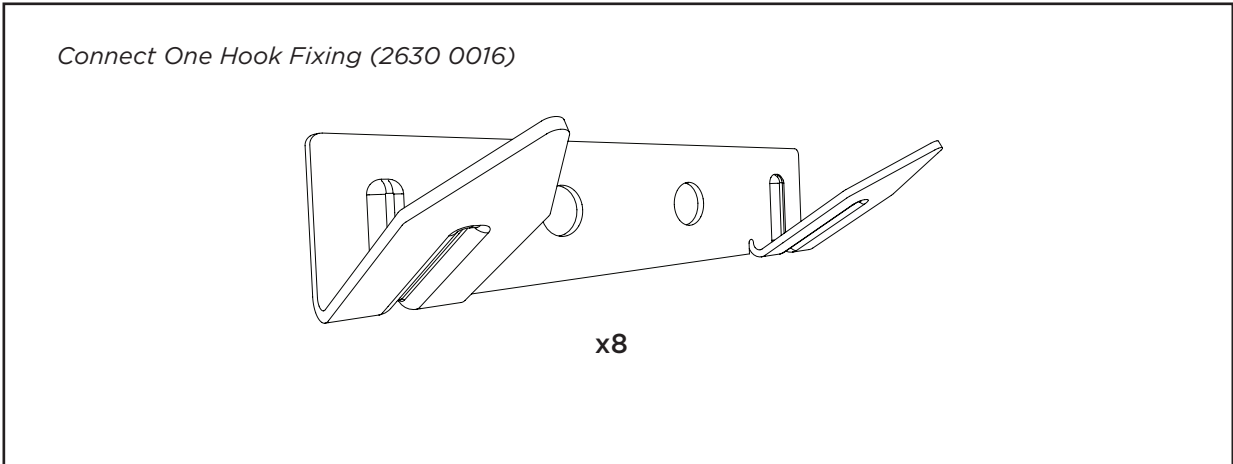
Installation for Ecophon® Akusto™ One SQ Wall Panels



Method 1: Attachment with mounting bar (a) and anchors (b)

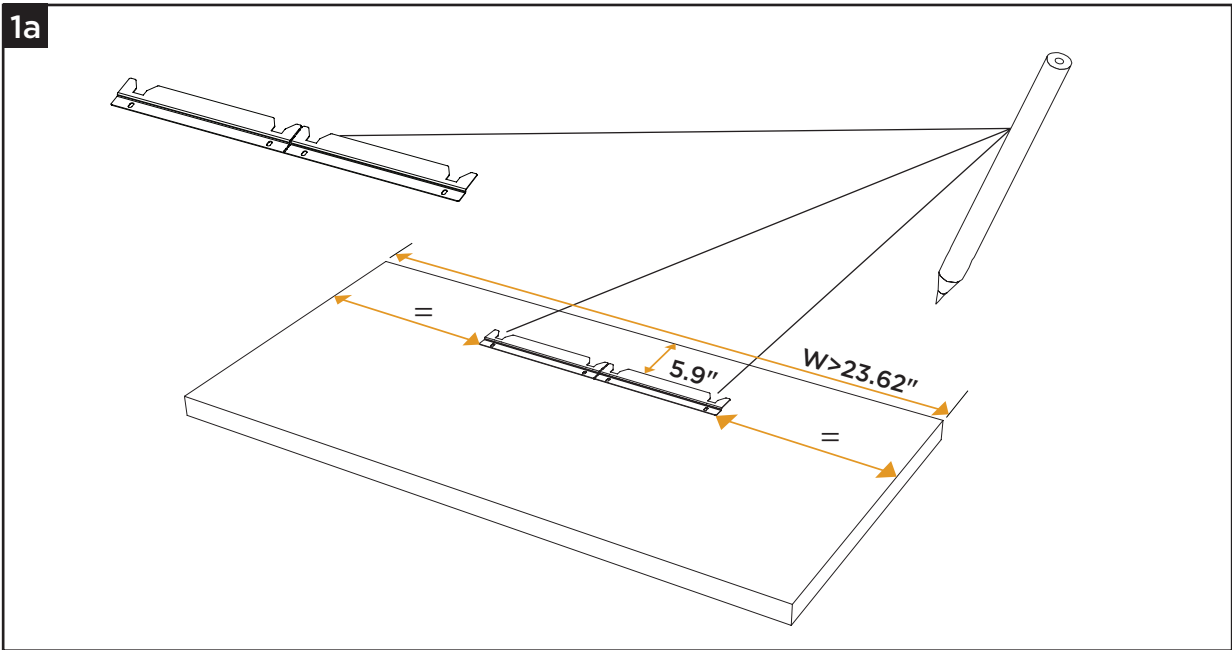


Method 2: Attachment with impaling brackets

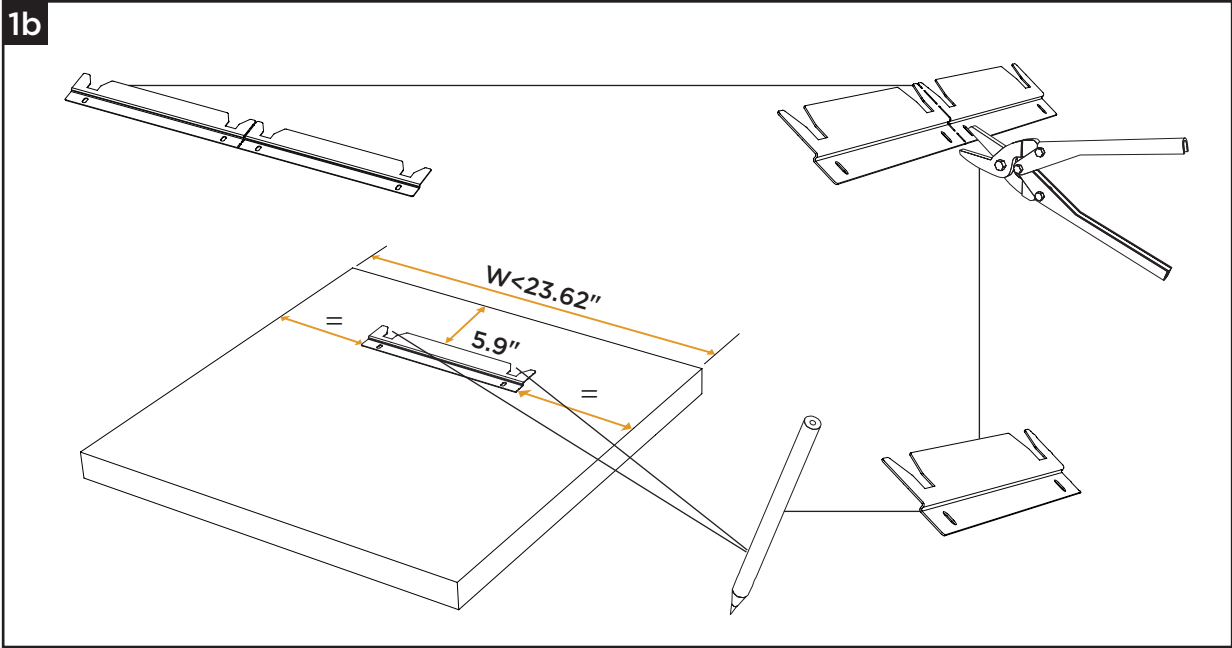


Installation for Ecophon® Akusto™ One SQ Wall Panels

Attachment Method 1

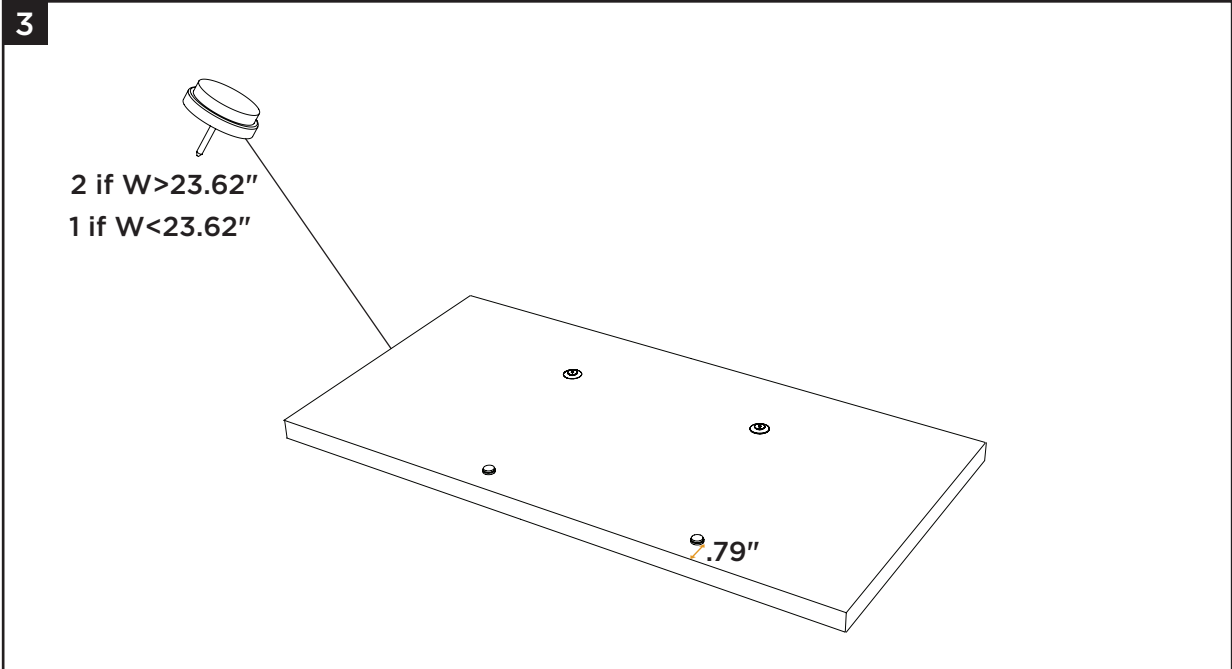
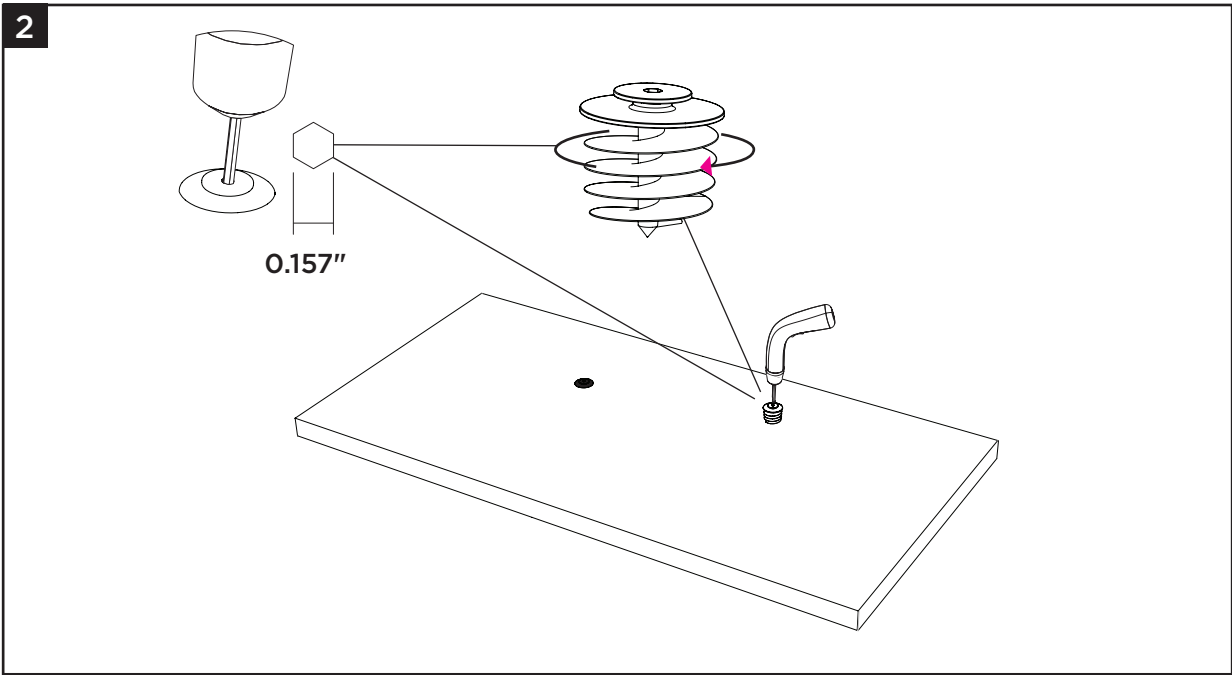


Note: Circle shape will always use the full sized Connect One Trim installed 1/3 of the diameter from the top of the panel.



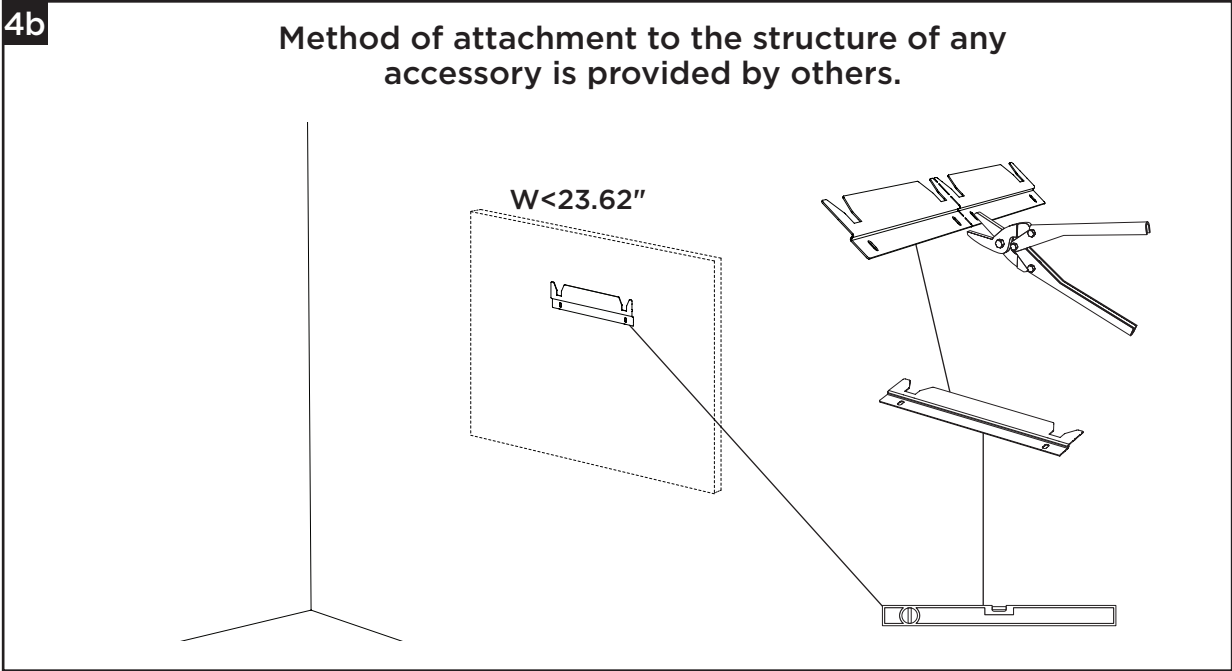
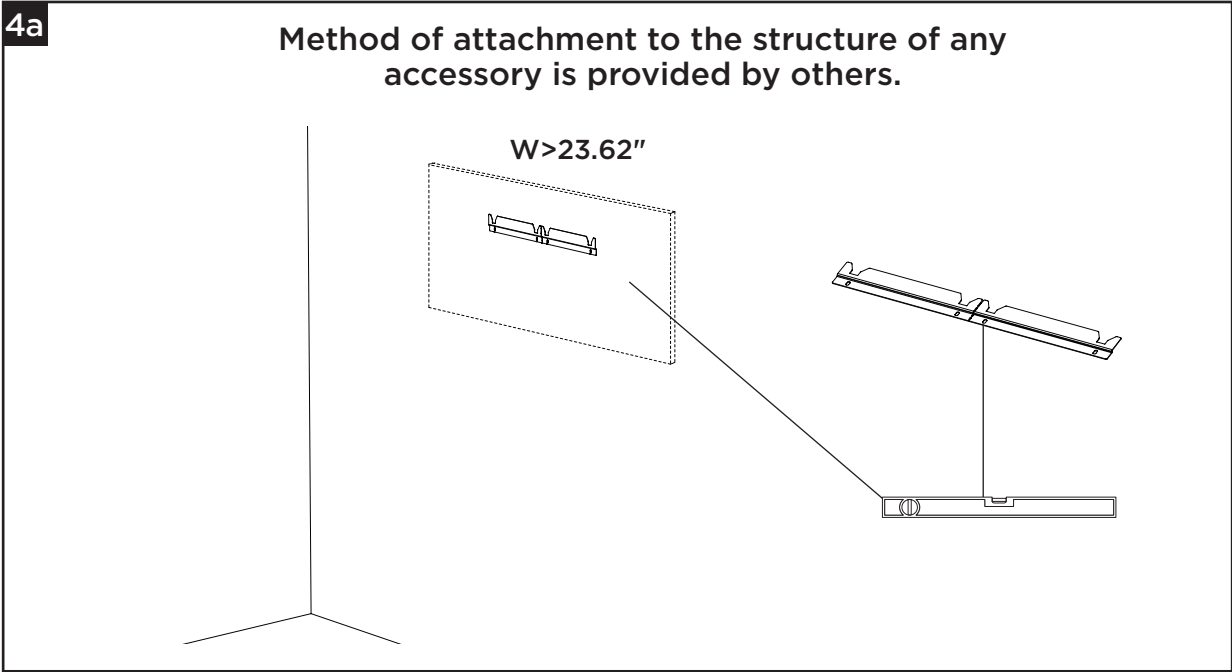
Installation for Ecophon® Akusto™ One SQ Wall Panels

Attachment Method 1



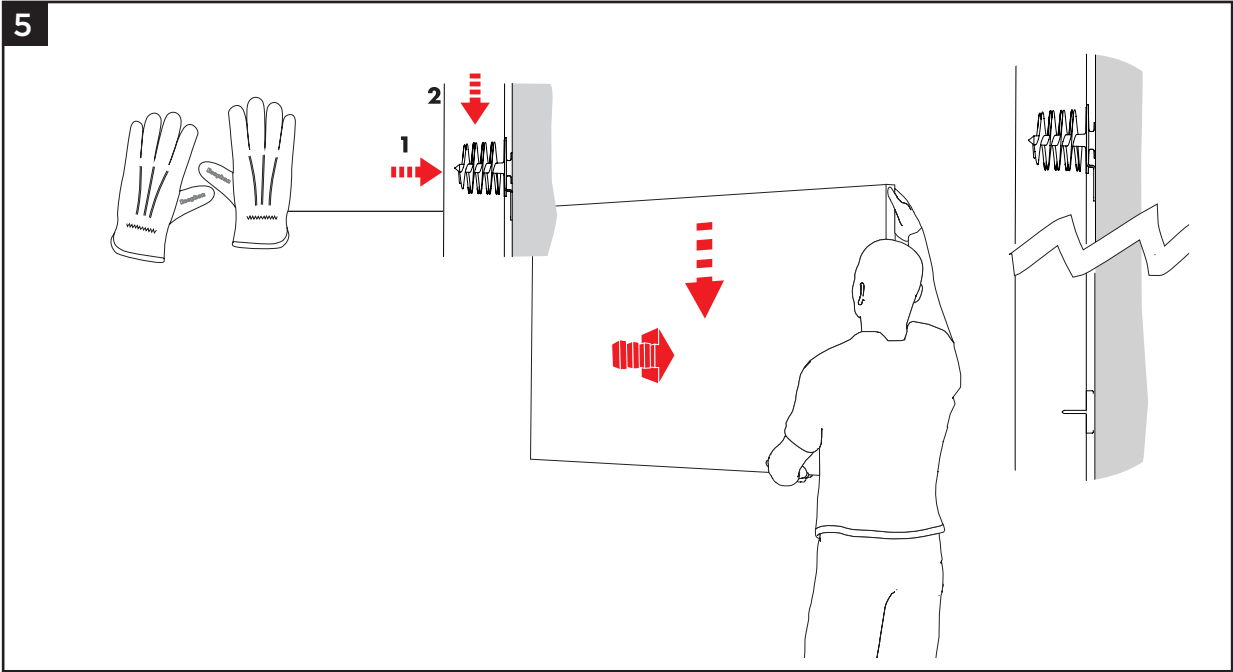
Installation for Ecophon® Akusto™ One SQ Wall Panels

Attachment Method 1



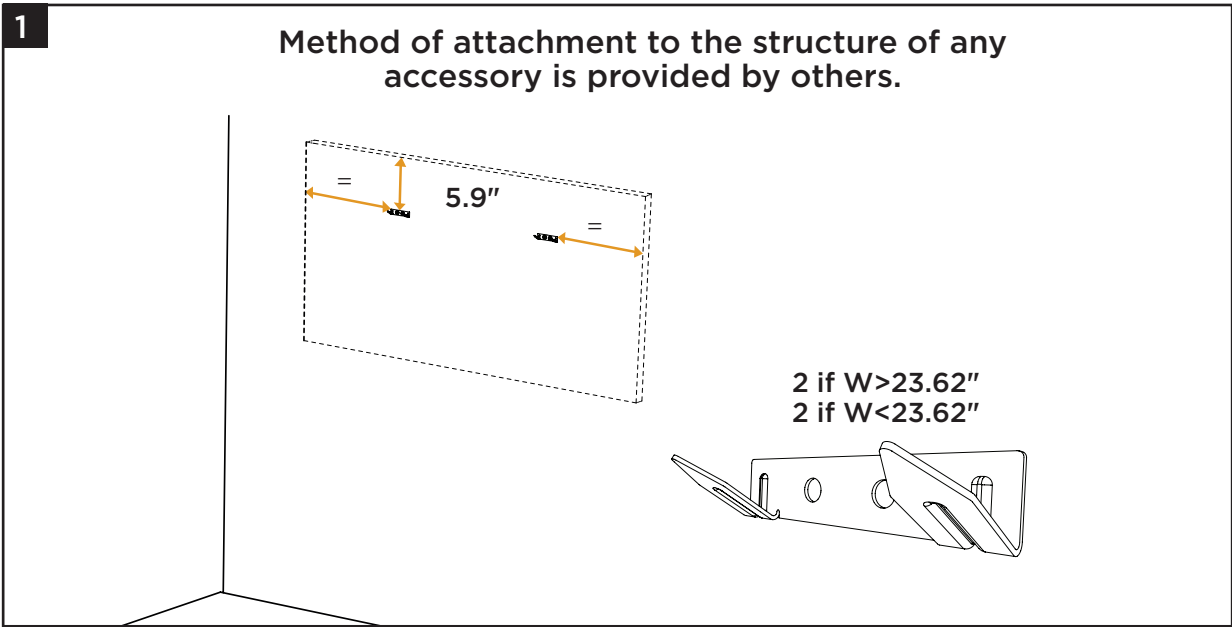
Installation for Ecophon® Akusto™ One SQ Wall Panels

Attachment Method 1



Installation for Ecophon® Akusto™ One SQ Wall Panels

Attachment Method 2



Note: Circle shape will always use 2 impaling brackets installed 1/3 of the diameter from the top of the panel.

