

Gyptone® BIG™ Access Panel

Installation Manual

DESIGN AND SPECIFICATIONS

Use of the Product

Gyptone BIG Access Panel is fully integrated in the ceiling surface and allows for quick and easy access to technical installations.

Both hatch and frame are pure gypsum products and consist solely of recycled materials.

Construction height

When demounting the Access Panel from the ceiling, the minimum plenum height necessary is 5-inches.

Surfaces

The gypsum surface is intended to be painted after installation. Paint application must be made with a short nap roller (1/4" recommended). Do not spray paint panels as it will substantially impair the acoustic performance.

It is recommended to paint the edges of both the access panels and the openings in the Gyptone ceiling. A high gloss paint is recommended.

Dimensions

Access Panel including frame =
600 x 600 mm (≈ 24" X 24")

Opening measurement =
510 x 510 mm (≈ 20" X 20").

Types

Gyptone Access Panels suit all Gyptone BIG products in modular size 1200 X 2400 mm (≈ 48" X 94.5"):

- Gyptone BIG Line 6
- Gyptone BIG Quattro 41
- Gyptone BIG Quattro 46
- Gyptone BIG Sixto 63.

Dimensional Stability

Gyptone BIG is to be installed and used in rooms with relative humidity not exceeding 70% or temperatures exceeding 104 degrees F.

Weight

Frame = 0.9 kg (≈ 2 lb.)
Access Panel = approx. 3.6 kg (≈ 8 lb.)

Cleaning

Can be cleaned with a damp cloth, depending on the final surface treatment. Do not use detergents.

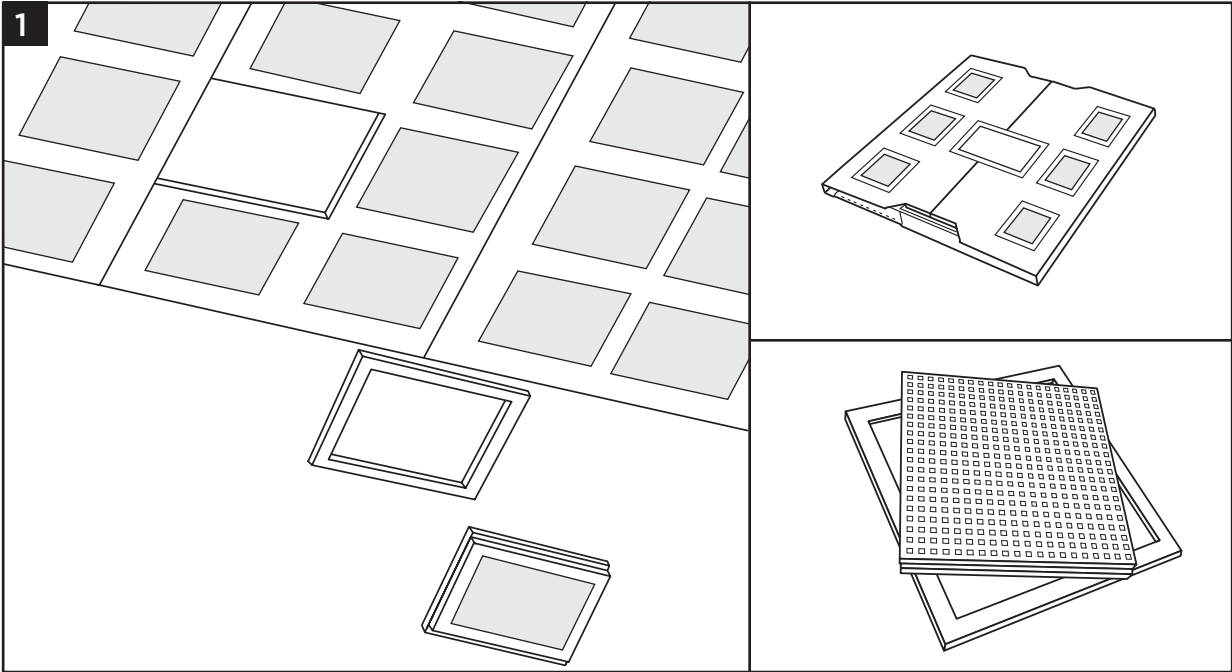
Maintenance

Damages on edges or surfaces can be repaired by filling with joint compound and painting.

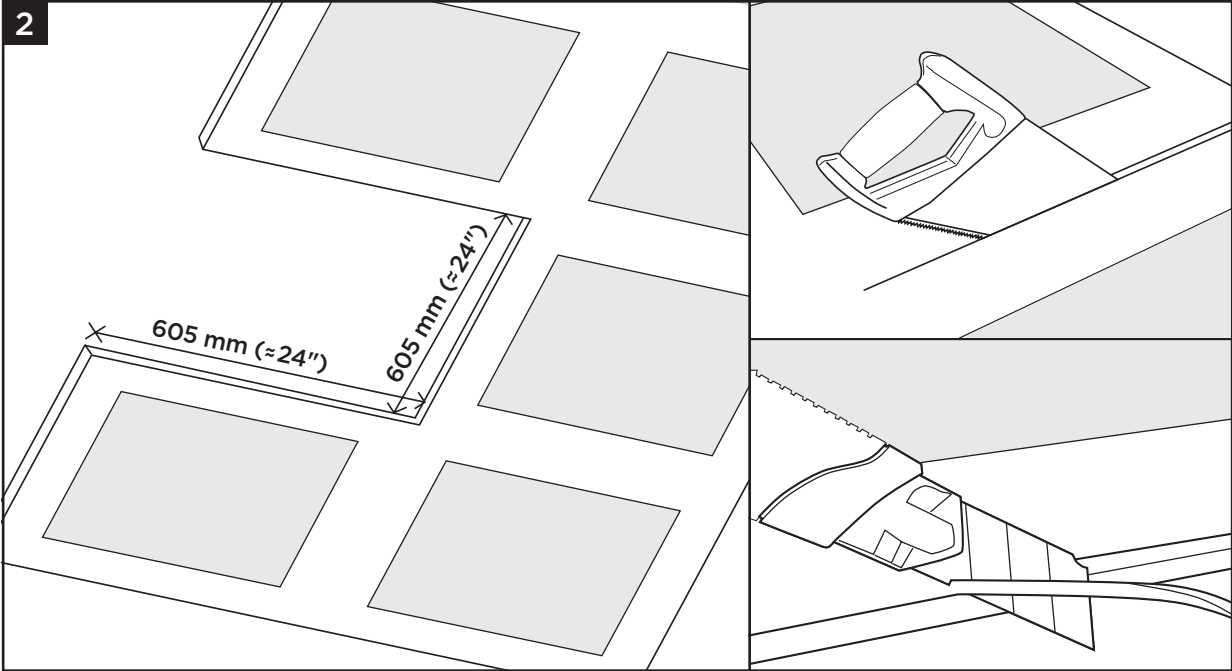
Fire Performance

Panels have been tested according to ASTM E84 (Flame Spread ≤ 25) and ASTM E1263 (Smoke Development ≤ 50).

Installation for Gyptone BIG™ Access Panels

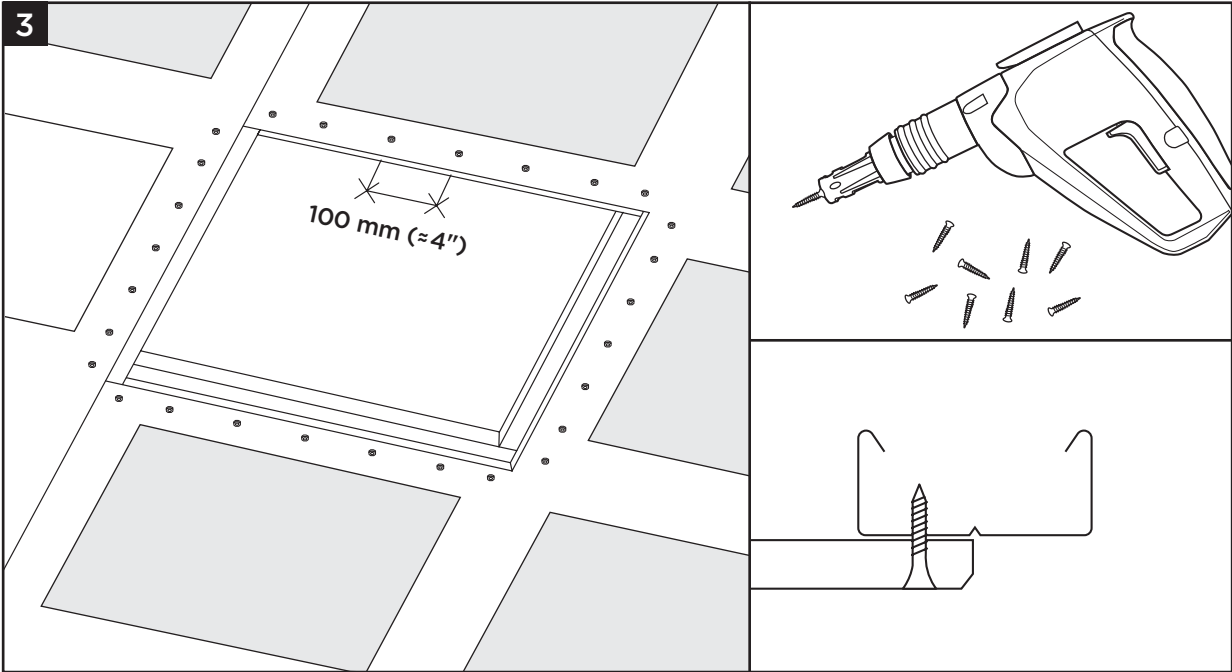


Gyptone BIG Access Panel is used in combination with the Gyptone BIG ceilings.

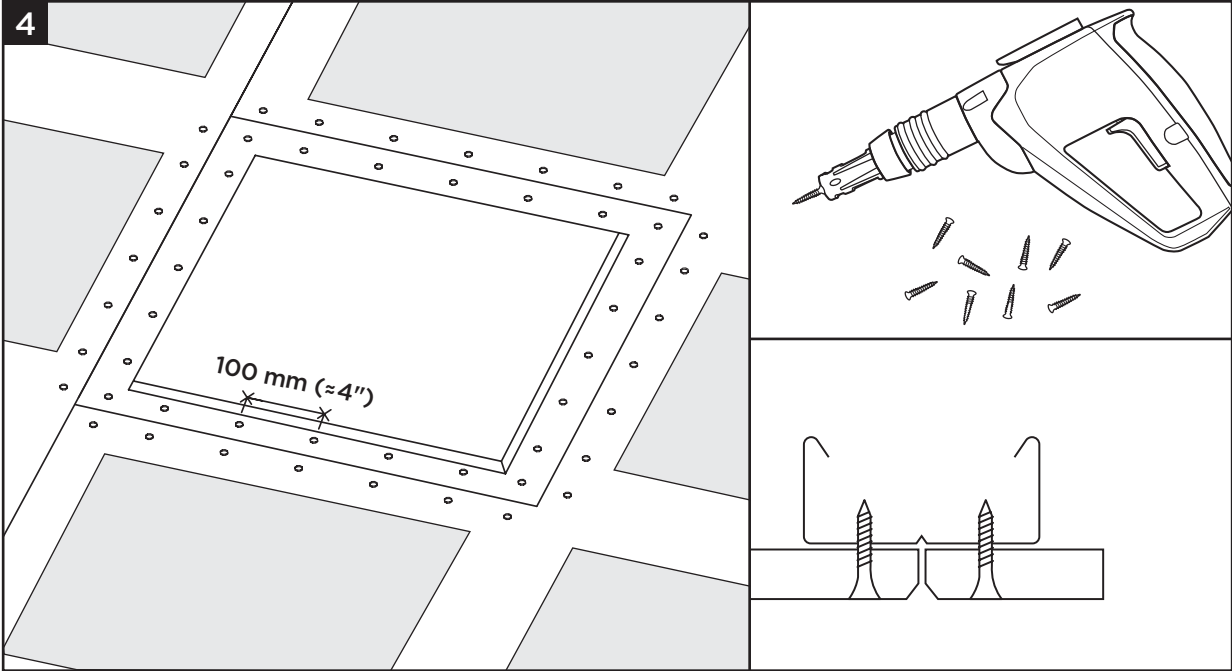


The measurements for cutting holes are centred around a perforated area. The hole is cut with a delicate jagged saw / knife. All edges must be bevelled with a knife.

Installation for Gyptone BIG™ Access Panels

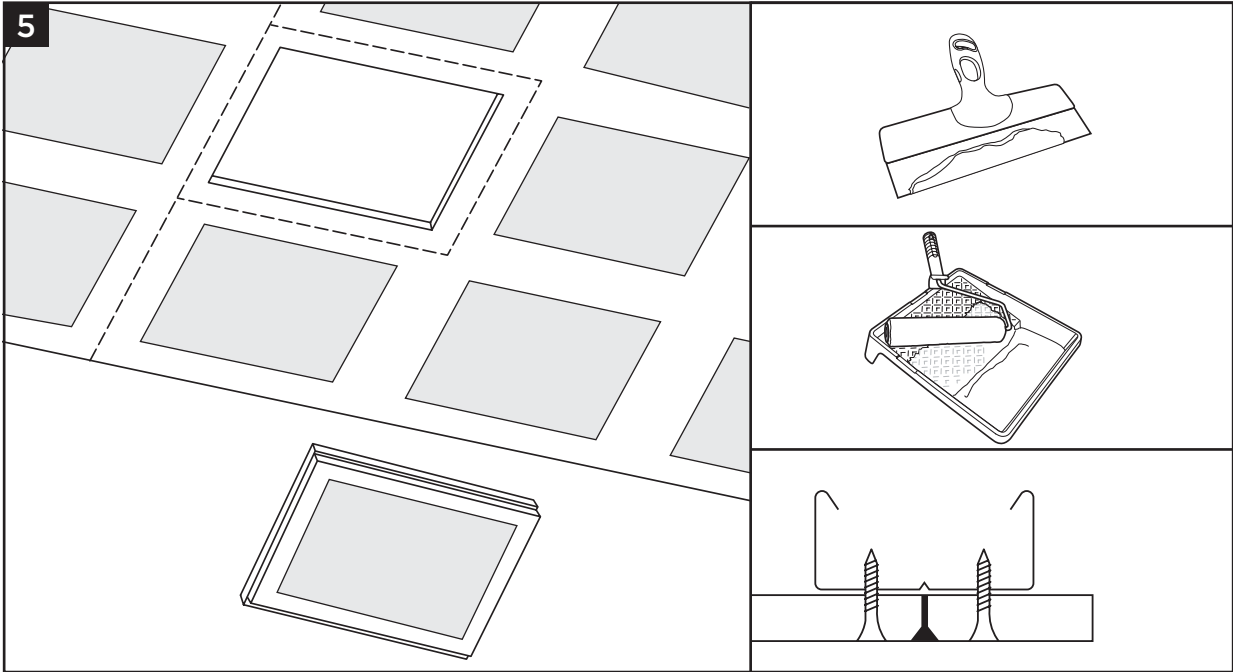


Fix the ceiling boards to the metal profiles. Screws are placed at a max. distance of 10 mm. There must be a stable base on all four sides.

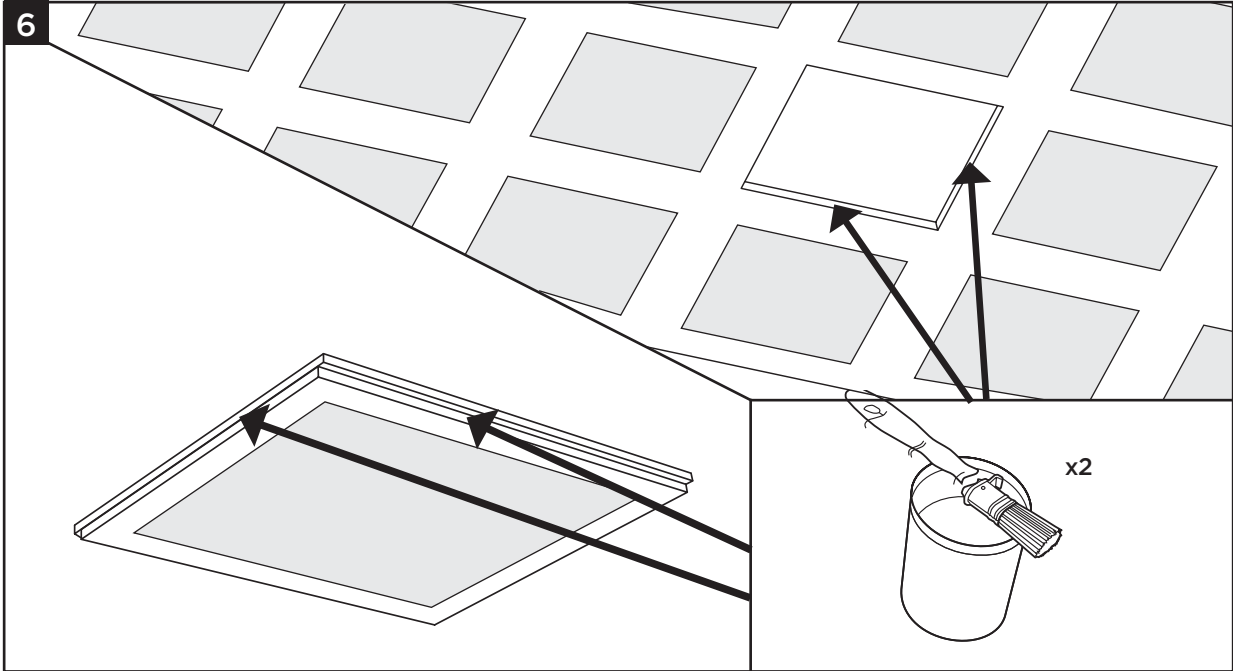


Carefully lift the frame into place and screw it into the metal profiles, max. distance cc 100 mm (approximately 4 inches).

Installation for Gyptone BIG™ Access Panels

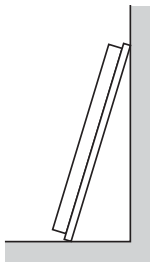
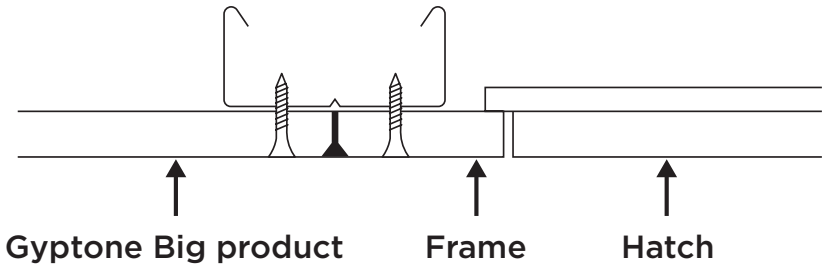


The board joints should be taped, finished, and sanded. Note that the Access Panel should be painted / dried before installation in order to avoid sticking to other surfaces.



The vertical gypsum edges on the frame / Access Panel must be painted twice with an extra resilient paint to strengthen the edges. It is recommended to use high gloss paint.

Installation for Gyptone BIG™ Access Panels



When dismantling the Access Panel, it must always be placed in a standing position against the heavy rear board.

More information can be found on www.certainteed.com/ceilings