



DEPARTMENT OF REGULATORY AND ECONOMIC RESOURCES (RER)  
BOARD AND CODE ADMINISTRATION DIVISION

MIAMI-DADE COUNTY  
PRODUCT CONTROL SECTION  
11805 SW 26 Street, Room 208  
Miami, Florida 33175-2474  
T (786) 315-2590 F (786) 315-2599  
[www.miamidade.gov/economy](http://www.miamidade.gov/economy)

## NOTICE OF ACCEPTANCE (NOA)

**CertainTeed LLC**  
20 Moores Road,  
Malvern, PA 19355

### SCOPE:

This NOA is being issued under the applicable rules and regulations governing the use of construction materials. The documentation submitted has been reviewed and accepted by Miami-Dade County RER - Product Control Section to be used in Miami-Dade County and other areas where allowed by the Authority Having Jurisdiction (AHJ).

This NOA shall not be valid after the expiration date stated below. The Miami-Dade County Product Control Section (in Miami-Dade County) and/or the AHJ (in areas other than Miami-Dade County) reserve the right to have this product or material tested for quality assurance purposes. If this product or material fails to perform in the accepted manner, the manufacturer will incur the expense of such testing and the AHJ may immediately revoke, modify, or suspend the use of such product or material within their jurisdiction. RER reserves the right to revoke this acceptance, if it is determined by Miami-Dade County Product Control Section that this product or material fails to meet the requirements of the applicable building code.

This product is approved as described herein, and has been designed to comply with the Florida Building Code including the High Velocity Hurricane Zone of the Florida Building Code.

### DESCRIPTION: CertainTeed XT-25 Three Tab Shingles

**LABELING:** Each unit shall bear a permanent label with the manufacturer's name or logo, city, state and following statement: "Miami-Dade County Product Control Approved", unless otherwise noted herein.

**RENEWAL** of this NOA shall be considered after a renewal application has been filed and there has been no change in the applicable building code negatively affecting the performance of this product.

**TERMINATION** of this NOA will occur after the expiration date or if there has been a revision or change in the materials, use, and/or manufacture of the product or process. Misuse of this NOA as an endorsement of any product, for sales, advertising or any other purposes shall automatically terminate this NOA. Failure to comply with any section of this NOA shall be cause for termination and removal of NOA.

**ADVERTISEMENT:** The NOA number preceded by the words Miami-Dade County, Florida, and followed by the expiration date may be displayed in advertising literature. If any portion of the NOA is displayed, then it shall be done in its entirety.

**INSPECTION:** A copy of this entire NOA shall be provided to the user by the manufacturer or its distributors and shall be available for inspection at the job site at the request of the Building Official.

This NOA renews NOA #20-0723.05 and consists of pages 1 through 4.  
The submitted documentation was reviewed by Alex Tigera.



NOA No.: 21-0315.01  
Expiration Date: 06/14/26  
Approval Date: 05/13/21  
Page 1 of 4

## ROOFING ASSEMBLY APPROVAL

**Category:** Roofing  
**Sub-Category:** Asphalt Shingles  
**Materials:** 3-Tab  
**Deck Type:** Wood

### SCOPE

This approves CertainTeed XT-25 Three Tab Shingles as manufactured by **CertainTeed LLC** described in this Notice of Acceptance.

### PRODUCT DESCRIPTION

<u>Product</u>	<u>Dimensions</u>	<u>Test Specifications</u>	<u>Product Description</u>
<b>CertainTeed XT-25</b> <i>Manufacturing Locations #1, 2</i>	12" x 36"	TAS 100	A heavyweight, fiberglass reinforced 3-tab asphalt shingle.
<b>Accessory Shingles</b>	various	proprietary	Accessory shingles for hip, ridge and starter strip applications.

### MANUFACTURING LOCATION

1. Oxford, NC
2. Shreveport, LA



NOA No.: 21-0315.01  
Expiration Date: 06/14/26  
Approval Date: 05/13/21  
Page 2 of 4

**EVIDENCE SUBMITTED:**

<u>Test Agency</u>	<u>Test Identifier</u>	<u>Test Name/Report</u>	<u>Date</u>
PRI Construction Materials Technologies	CTC-022-02-01	TAS-100	05/16/06
	CTC-103-02-01	TAS-100	10/17/11
	CTC-104-02-01	TAS-100	10/31/11
	CTC-099-02-01	TAS-100	09/08/11
	CTC-100-02-01	TAS-100	09/26/11
	CTC-077-02-01	TAS-100	04/25/11
	CTC-078-02-01	TAS-100	04/26/11
Underwriters Laboratories, Inc.	06CA11166	TAS 107	05/22/06
	06CA02645	TAS 107	01/20/06
	11CA38844	TAS 107	01/28/12
	06CA28237	TAS 107	09/22/06
	04CA17822	TAS 107	05/28/04
		ASTM D 3462	04/05/06
	11NK08333	ASTM D 3462	11/05/12
	11NK08333	ASTM D 3462	11/20/12
	11NK08333	ASTM D 3462	04/15/12
	11NK08333	ASTM D 3462	11/05/12
	4789552696	ASTM D 3462	04/30/21
	4789552696	ASTM D 3462	03/12/21
	Follow-up Service Letter	ASTM E 108	08/25/04

**LIMITATIONS**

1. Fire classification is not part of this acceptance; refer to a current Approved Roofing Materials Directory for fire ratings of this product.
2. Shall not be installed on roof mean heights in excess of 33 ft.
3. All products listed herein shall have a quality assurance audit in accordance with the Florida Building Code and Rule 61G20-3 of the Florida Administrative Code.

**INSTALLATION**

1. Shingles shall be installed in compliance with Roofing Application Standard RAS 115.
2. Flashing shall be in accordance with Roofing Application Standard RAS 115
3. The manufacturer shall provide clearly written application instructions.
4. Exposure and course layout shall be in compliance with Detail 'A', attached.
5. Nailing shall be in compliance with Detail 'B', attached.

**LABELING**

1. Shingles shall be labeled with the Miami-Dade Product Control approved seal as seen below or the wording "Miami-Dade County Product Control Approved".

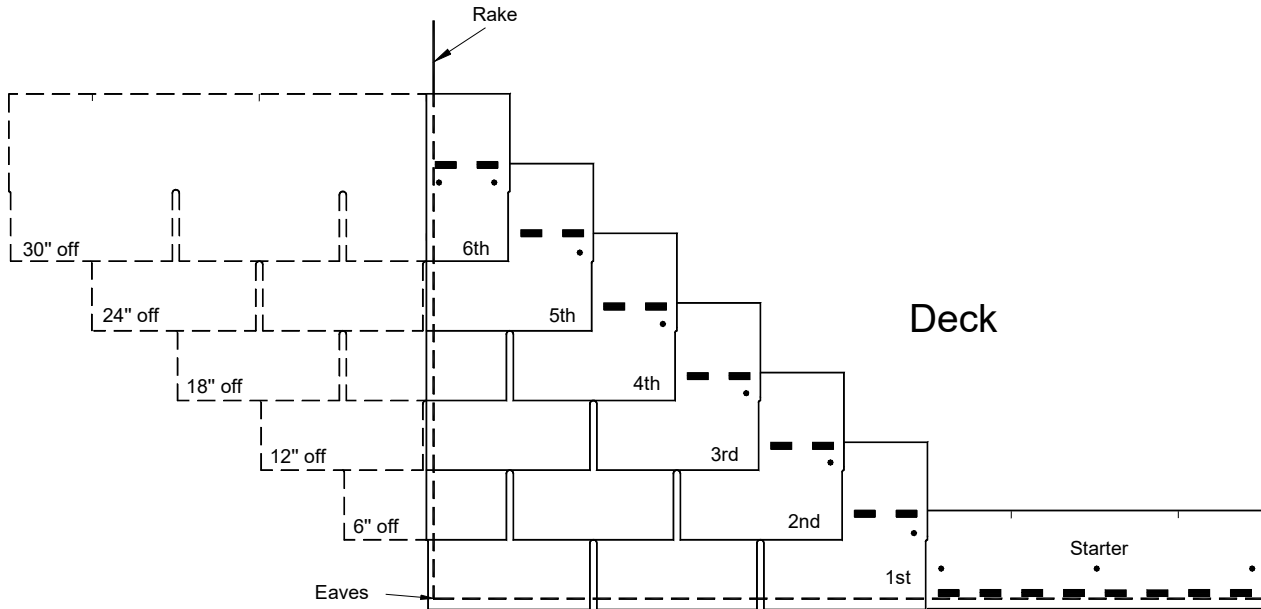


NOA No.: 21-0315.01  
 Expiration Date: 06/14/26  
 Approval Date: 05/13/21  
 Page 3 of 4

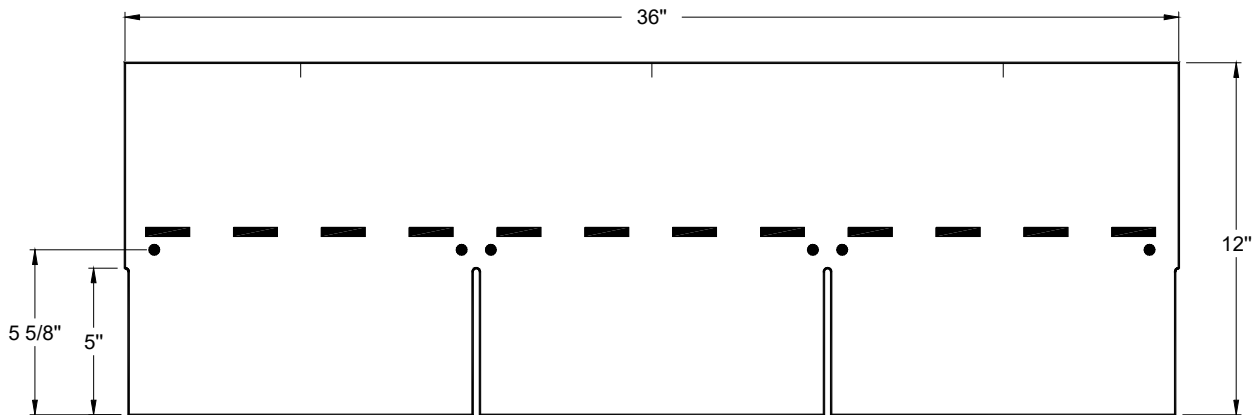
## BUILDING PERMIT REQUIREMENTS

As required by the Building Official or the applicable Building Code in order to properly evaluate the installation of this system. This Notice of Acceptance on its own cannot be used to obtain a building permit.

### DETAIL A



### DETAIL B



**END OF THIS ACCEPTANCE**



NOA No.: 21-0315.01  
Expiration Date: 06/14/26  
Approval Date: 05/13/21  
Page 4 of 4