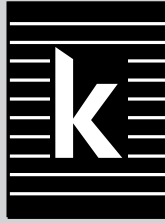


EverNew[®]

Vinyl Railing



STEP-BY-STEP

INSTALLATION INSTRUCTIONS FOR

KINGSTON RAILING

Assembly for: Flat, Column, 22-1/2°, 45°, Stair, Steep Stair

Virtually maintenance free | Aluminum reinforced for added safety
Independent tested as designated in report number CCRR-0211
Lifetime limited warranty

BEFORE YOU BEGIN

HELPFUL HINTS

Read these instructions thoroughly before beginning the assembly.

- Use carbide-tipped multi-purpose blade or non-ferrous blade for cutting.
- Do not lay vinyl components on abrasive surfaces.
- If any components are missing or defective, please call us at:

800-233-8990

CertainTeed
SAINT-GOBAIN

IMPORTANT:

ALWAYS WEAR SAFETY
GLASSES WHEN CUTTING AND
DRILLING VINYL/ALUMINUM
RAILING PRODUCTS.

TOOLS REQUIRED

- Chop/mitre saw –
with carbide-tipped multi-purpose blade
or non-ferrous blade
- Drill and drill bits (9/64")
- Tape measure
- Pencil
- Level
- #2 square drive

TIPS

- Make sure you have all the pieces you need to complete the job.
- Separate your flat and stair pieces to avoid using the wrong ones.

IMPORTANT

Before installing posts, note rail lengths are nominal. Actual rail lengths are:

- 6' Rail = 68-1/2"
- 8' Rail = 92-1/2"
- 10' Rail = 116-1/2"

BRACKETED POST SUPPORT KIT (CONCRETE)

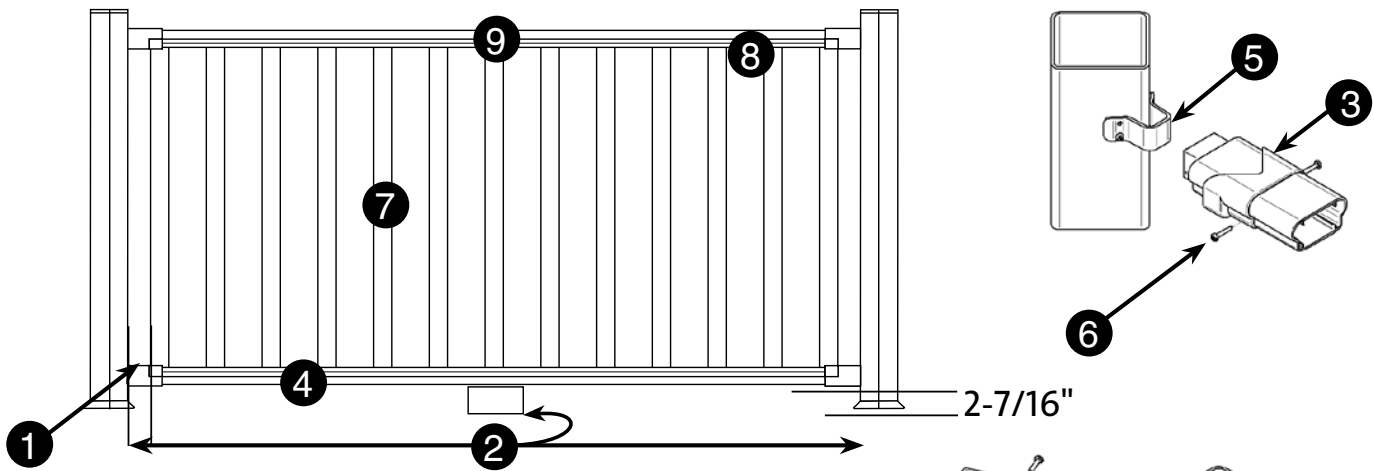
Vinyl posts alone do not provide adequate fastener retention.

- Install EverNew[®] bracketed post support as directed.



EZ Set II kit provides easy bracketed system installation on concrete surfaces.

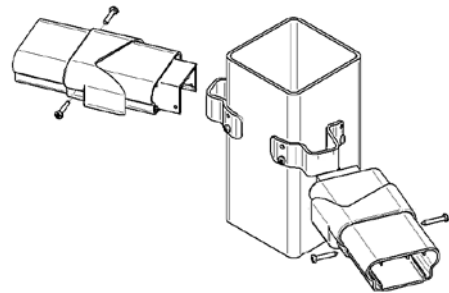
ASSEMBLY FOR 22-1/2° AND 45°



NOTE: Two brackets are required per section end.

Important: To ensure meeting code requirements, be sure that the space between the last baluster and the wall or post is not more than 4".

Actual rail lengths: 6' Rail = 68-1/2" | 8' Rail = 92-1/2" | 10' Rail = 116-1/2"



Step 1: Check for equal baluster spacing at posts. For 22-1/2° and 45°, mark rail where it meets post. Do not measure back.

Step 2: Square rails and cut. Install crush block to bottom rail.

Step 3: Slide vinyl covers over ends of rails. Insert aluminum brackets into both ends of rails.

Note: Vinyl cover can be field cut to avoid baluster interference.

Step 4: Position bottom rail between posts. For 22-1/2° and 45°, slide rail down inside corner of post.

Step 5: To secure aluminum bracket to posts with screws provided (two screws per aluminum bracket), on the TOP rail, place screws in the bottom holes of the bracket. On the BOTTOM rail, place screws in the top holes of the bracket. Slide vinyl covers to posts.

Step 6: Fasten cover and rail to aluminum bracket with 1" screws (provided) through flat sides of vinyl covers.

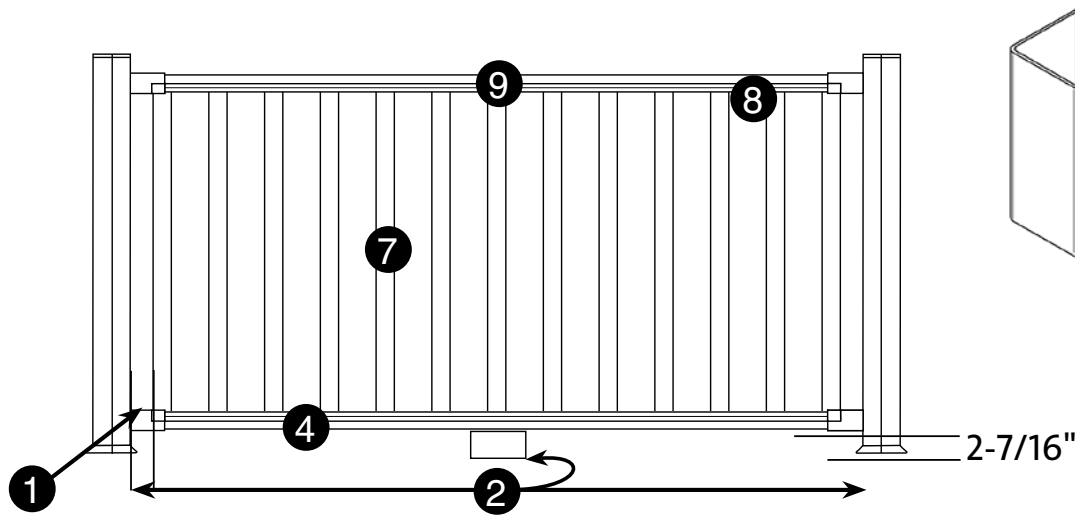
Note: Pre-drilling rail and bracket will enhance application. Use a 9/64" drill bit.

Step 7: Insert balusters into bottom rail.

Step 8: Install top rail and repeat steps 5-6.

Step 9: For 10' railing, insert provided screws through flat side of top and bottom rails into middle baluster to secure midpoint of railing.

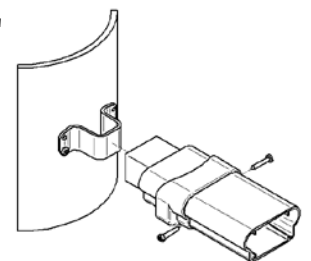
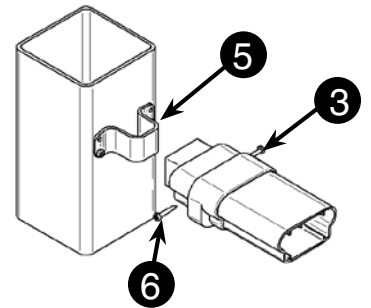
ASSEMBLY FOR FLAT AND COLUMN



NOTE: Two brackets are required per section end.

Important: To ensure meeting code requirements, be sure that the space between the last baluster and the wall or post is not more than 4".

Actual rail lengths: 6' Rail = 68-1/2" | 8' Rail = 92-1/2" | 10' Rail = 116-1/2"



Note: Column bracket cover is cut to work with an 8" round column.

Step 1: Check for equal baluster spacing at posts. For flat and columns, mark rail where it meets the post. Measure back 1/4" from mark.

Step 2: Square rails and cut. Install crush block to bottom rail.

Step 3: Slide vinyl covers over ends of rails. Insert aluminum brackets into both ends of rails.

Note: Vinyl cover can be field cut to avoid baluster interference.

Step 4: Position bottom rail between posts.

Step 5: To secure aluminum bracket to posts with screws provided (two screws per aluminum bracket), on the TOP rail, place screws in the bottom holes of the bracket. On the BOTTOM rail, place screws in the top holes of the bracket. Slide vinyl covers to posts.

Step 6: Fasten cover and rail to aluminum bracket with 1" screws (provided) through flat sides of vinyl covers.

Note: Pre-drilling rail and bracket will enhance application. Use a 9/64" drill bit.

Alternative flat installation: Secure rail to aluminum bracket first and then slide vinyl cover to post. Secure cover in place with vinyl adhesive.

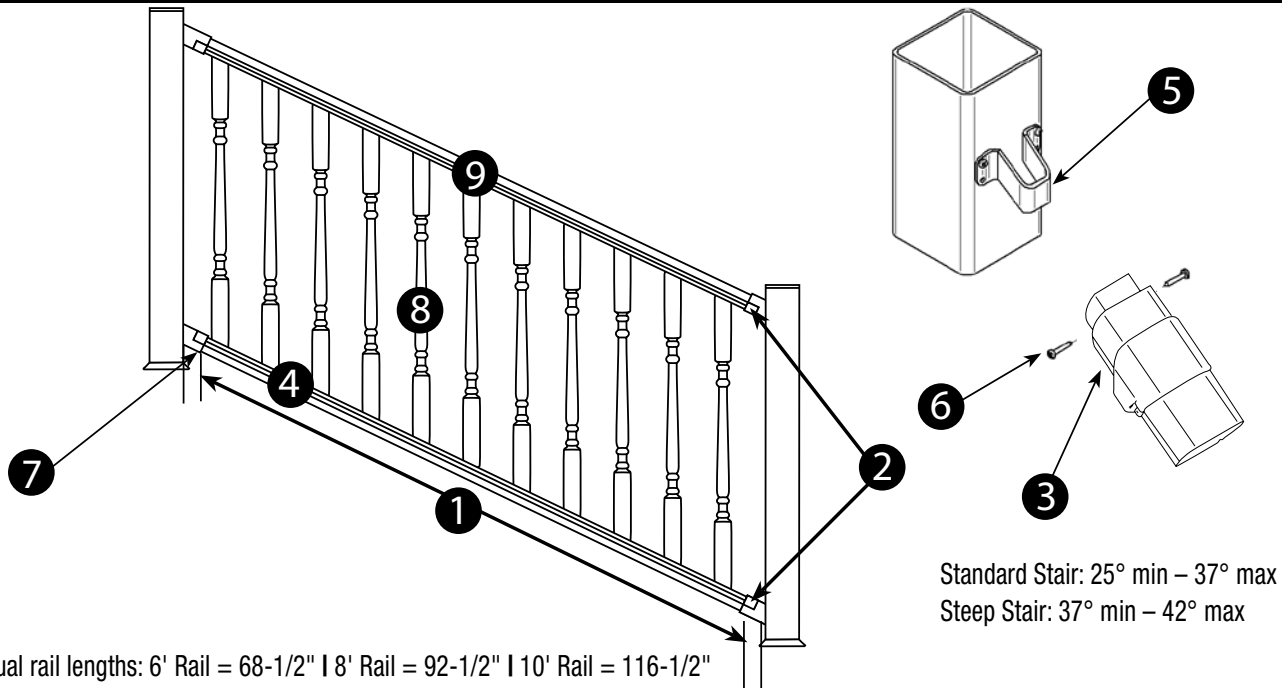
Step 7: Insert balusters into bottom rail.

Step 8: Install top rail and repeat steps 5-6.

Note: Aluminum brackets can be inserted into top rail after balusters are installed.

Step 9: For 10' railing, insert provided screws through flat side of top and bottom rails into middle baluster to secure midpoint of railing.

STAIR ASSEMBLY



Step 1: Check for equal baluster spacing at posts.

Step 2: Mark rail for stair angle where it meets the post. Square top rail to bottom rail, measure back 1/4" from mark and cut rails.

Step 3: Transfer stair angles to covers and cut. Place covers over a scrap piece of rail when cutting to required angle. To hold rail level, place cover on both ends. Attach covers to scrap rail with tape or plastic wrap to hold in place while cutting. Do not attempt to cut covers without

placing on a rail. Slide vinyl covers over ends of bottom rail. Insert aluminum brackets into both ends of rail.

Step 4: Position bottom rail between posts.

Step 5: To secure aluminum bracket to posts with screws provided (two screws per aluminum bracket), on the TOP rail, place screws in the bottom holes of the bracket. In the BOTTOM rail, place screws in the top holes of the bracket. Slide vinyl covers to posts.

Step 6: Secure rail to aluminum brackets with 1" screw (provided) through flat side of rail.

Note: Pre-drilling rail and bracket will enhance application. Use a 9/64" drill bit.

Step 7: Slide vinyl cover to post and fasten to rail with set screw provided.

Step 8: Insert baluster into bottom rail.

Step 9: Install top rail and repeat steps 5-7.

Note: Aluminum brackets can be inserted into top rail after balusters are installed.

Note: The 1-1/2" x 1-1/2" Kingston square baluster must measure 32-1/2" for stair applications. You can field cut a 1-1/2" x 1-1/2" x 33-1/4" square baluster to 32-1/2" (cut 3/4" from end) for this use. The 1-1/2" x 1-1/2" x 33-1/4" Kingston traditional baluster works for both flat and stair applications.

ASK ABOUT ALL OF OUR OTHER CERTAINTEED® PRODUCTS AND SYSTEMS:

ROOFING • SIDING • TRIM • DECKING • RAILING • FENCE
GYPSUM • CEILINGS • INSULATION

www.certainteed.com <http://blog.certainteed.com>

CertainTeed Corporation
P.O. Box 860
Valley Forge, PA 19482

Professional: 800-233-8990
Consumer: 800-782-8777

© 04/15 CertainTeed Corporation, Printed in the U.S.A.
Code No. 40-70-015A

