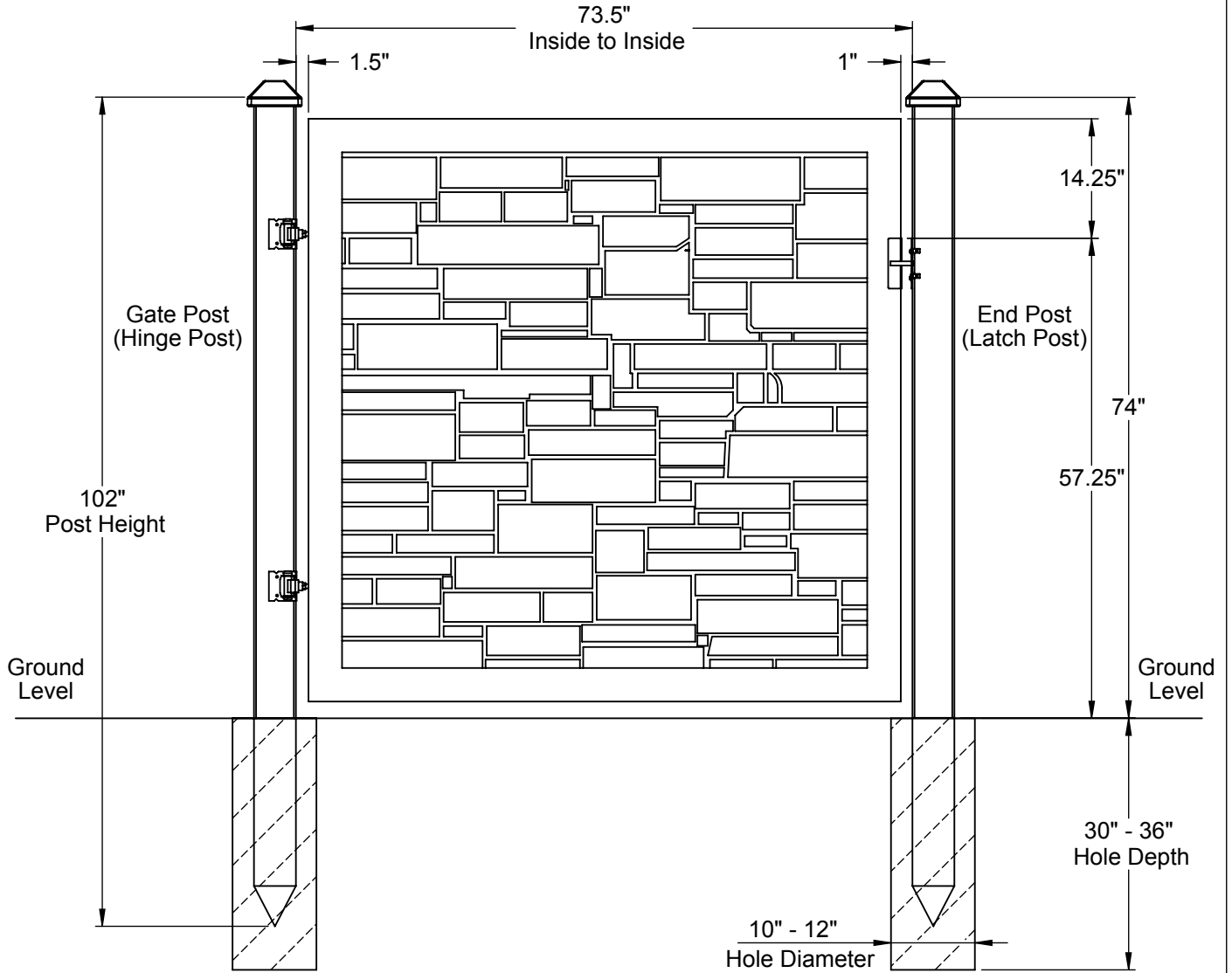
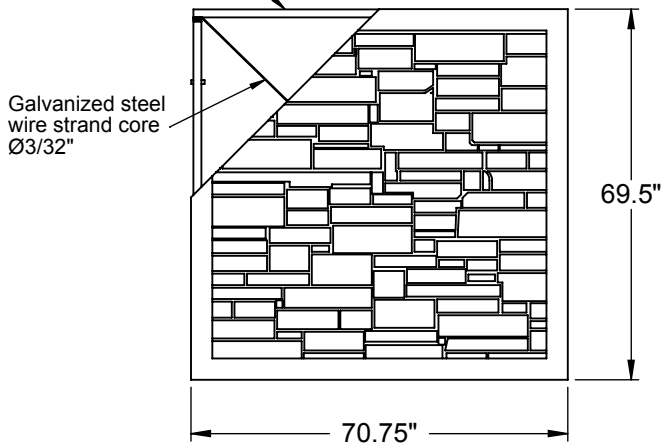


6'H X 6'W Gate

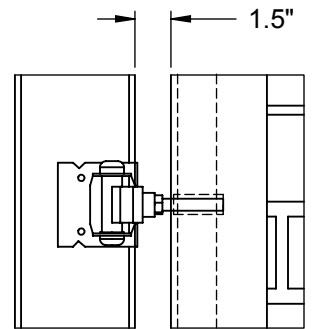


Gate is reinforced with a 1.5" galvanized steel box tube.


Gate Dimensions



- Actual gate Dimensions: 69.5"H X 70.75"W
- Gate Weight 87 lbs.
- Tolerances are $\pm .5"$



Gate hinge threads into the upper and lower inserts in the gate metal frame leaving about 1.5" from the edge of the gate to the gate post.

Model #: GT72X72	This drawing may not be altered or reproduced without the permission of SimTek® Fence		 www.simtekfence.com
Date: Feb 2, 2015	Scale: not to scale	REV: A Gleason	
Sheet 1 of 1	U.S. Patents: 7,478,797 / 7,635,114 Foreign Patents Pending		