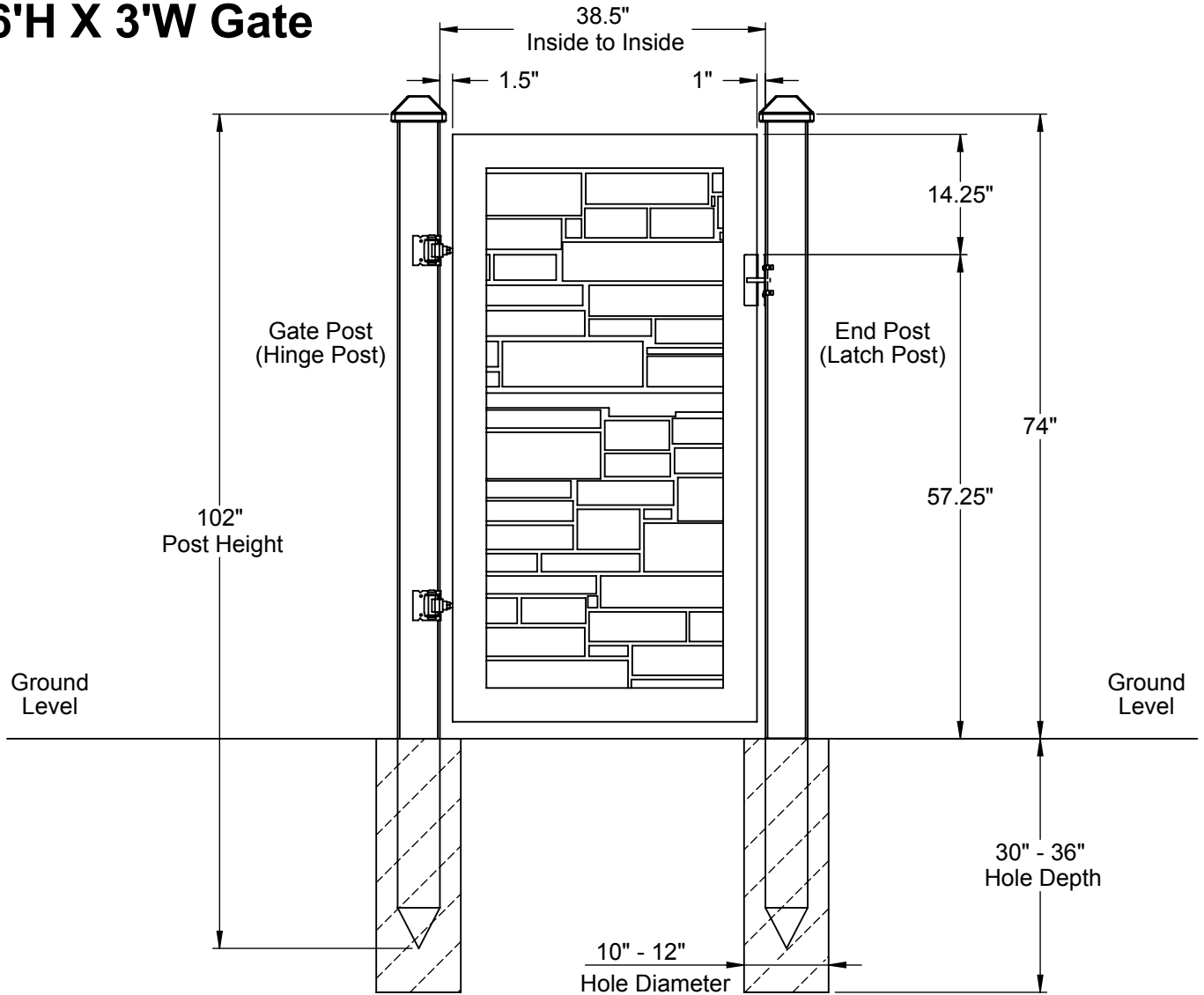
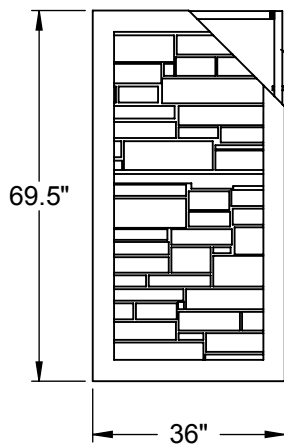


6'H X 3'W Gate

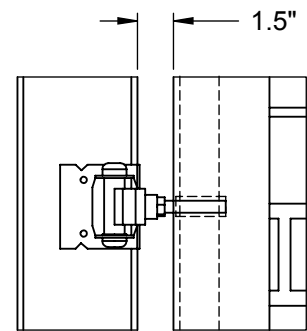


Gate Dimensions



Gate is reinforced with a 1.5" galvanized steel box tube.

- Actual gate Dimensions: 69.5"H X 36"W
- Gate Weight 55 lbs.
- Tolerances are $\pm .5"$



Gate hinge threads into the upper and lower inserts in the gate metal frame leaving about 1.5" from the edge of the gate to the gate post.

Model #: GT72X36	This drawing may not be altered or reproduced without the permission of SimTek [®] Fence		 SimTek[™] FENCE www.simtekfence.com
Date: Feb 2, 2015	Scale: not to scale	REV: A Gleason	
Sheet 1 of 1	U.S. Patents: 7,478,797 / 7,635,114 Foreign Patents Pending		