

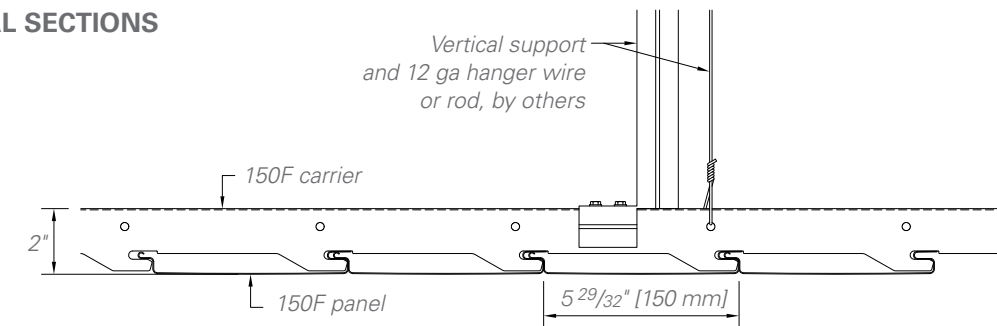
Designed to withstand exterior environments and wind loading, the 150F Exterior metal ceiling system is ideal for soffits.

Project: Bill and Hillary Clinton National Airport, Little Rock, AR; 150F Linear Metal Soffit System Photo credit: Bob Perzel

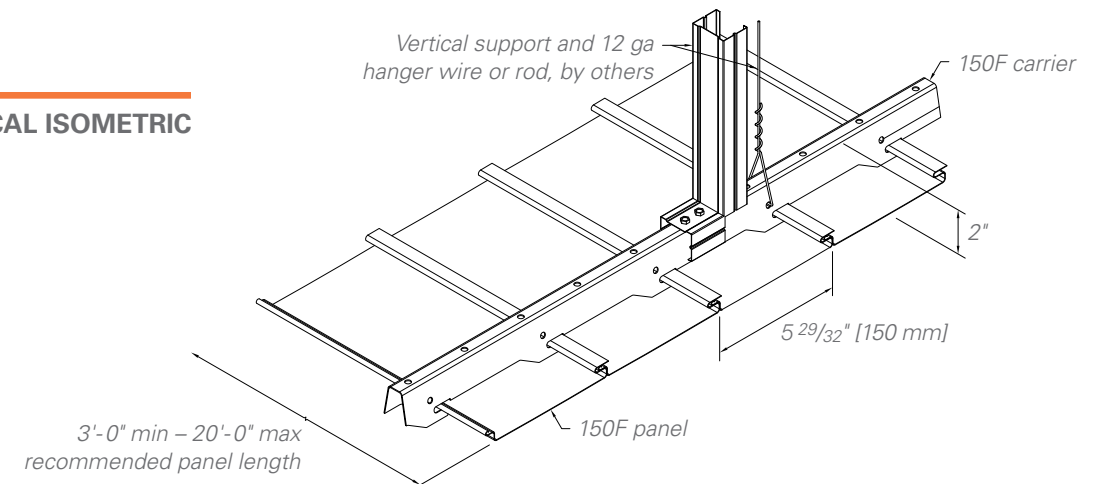
### KEY FEATURES

- Panel width: 6" nom. [150 mm]
- Panel lengths: 3' to 20'
- Panel depth: 1 1/16"
- Waste reduction with factory fabricated dimensional material
- Downweight: reduce dead load with lightweight aluminum
- Interior and exterior applications
- Compatible with industry standard lighting, HVAC, speaker, fire safety, and security services
- Luxacote® high-performance finish resists exterior environmental conditions including UV
- Perforated panels are available only for exterior ventilation and may not exceed 10% of the total ceiling area
- Factory assembled access doors available
- Miami-Dade County, FL NOA No. 17-0807.10 (expires March 19, 2020)

### TYPICAL SECTIONS



### TYPICAL ISOMETRIC

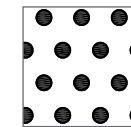


### PERFORATION PATTERNS

Standard patterns shown. Scale shown: 1:1, unless otherwise noted.



Non-perforated



Pattern #124  
(Ventilation Panels)

### PHYSICAL DATA

**Substrate:** Aluminum  
**Warranty:** 1 year  
**Seismic rating:** Zones A,B,C,D,E,F  
**Fire rating:** Class A Fire Rated per ASTM E84  
 – Painted or anodized metal: Flame spread: ≤ 25, Smoke ≤ 50  
**Weight:** Varies 0.5 – 0.75 lbs./sq.ft.  
**Wind load:** Per code. Designed and tested in accordance with the requirements of the Florida Building Code 5th edition (2014), including the High Velocity Hurricane Zone (HVHZ) provisions and Miami-Dade requirements.  
**Miami-Dade County, Florida NOA No. 17-0807.10 (expires March 19, 2020)**  
**Recycled content:** up to 92%

### BIM

REVIT files available for BIM contributions, see website for details.

### LEED V4 CREDITS

EA: Optimize Energy Performance  
 MR: Building Product Disclosure  
 EQ: Low-Emitting Materials  
 EQ: Indoor Air Quality Assessment  
 EQ: Daylight

### CERTIFICATIONS

GREENGUARD Gold Certified  
 EPDs – available upon request



EXTERIOR SOFFITS

EXTERIOR – LINEAR  
150F – LINEAR METAL SOFFIT SYSTEM

COLORS & FINISHES

A wide choice of colors and finishes are available and some carry a premium price over manufacturer's standard colors. Custom color matching is available upon request. Minimum quantities and lead times may apply. See website for the most up to date information and to order samples. Colors are for illustration purposes only.

STANDARD PAINT COLORS – LUXACOTE EXTERIOR PAINT



Lighthouse White 0401  
Natural 7080

CUSTOM COLORS

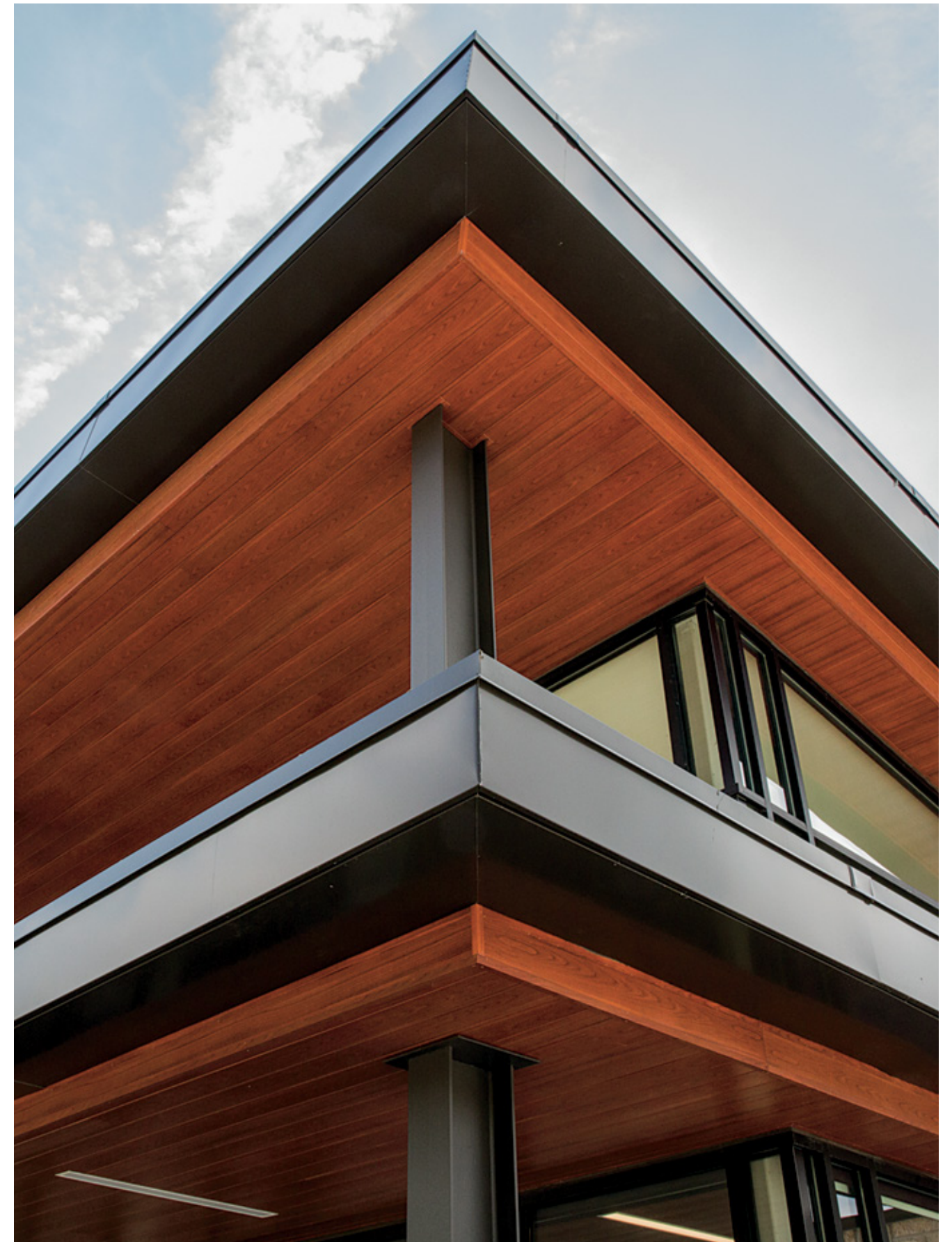
Premium custom colors.



Custom

DECORATED WOOD-LOOK OPTIONS

Powder-coat paint finish (interior and exterior). Formaldehyde-free, Class A composite panel. This finish is recommended for exterior conditions.



Project: Mercantil Commercebank, Houston, TX; 150F Linear Metal Soffit System Photo credit: Bob Perzel