

CertainTeed Ceilings Architectural Solutions® Wall Panel Installation Instructions

General

1. The building should be properly closed and under approximate occupancy conditions (temperature and humidity).
2. The wall panels should be stored at temperature and humidity conditions that approximate building occupancy conditions and should not come in direct contact with water for moisture. Materials exposed to direct moisture or water must not be installed.
3. Only Architectural Solutions 300 Wall Panels are designed for use in non-air conditioned and humid environments.
4. Do not install any wall panels in poorly ventilated areas.
5. For installation on the inside of exterior walls, a polyethylene vapor retarder is required.
6. The wall to be covered must be relatively smooth to insure proper joints between panels.
7. On stud or masonry walls, horizontal furring channels may be required.
8. Lay out mounting system.
9. Install bottom leveling angle or J molding as required.
10. Determine the width of end panels and mark the plumb line at the first panel joint.
11. Measure the first panel width at several heights and transfer to the back of the panel and cut to fit.
12. If required, cut the panel to correct height.
13. If cut edge is to be exposed, reinforce the edge with the appropriate L-angle, if necessary, and wrap and adhere fabric to the back of the panel.
14. Install J molding at top of panels if required.
15. Install panels per instructions for mounting system specified.
16. Install base molding if required.
17. Clean finished wall.

Contents:

- | | |
|---|------------|
| 1. Adhesive Mounting..... | Pages 2-4 |
| 2. Impaling Clips (used in conjunction with Adhesive)..... | Pages 5-6 |
| 3. Concealed Spline Mounting (used in conjunction with Adhesive)..... | Pages 7-8 |
| 4. Velcro® Mounting (used in conjunction with another mounting method)..... | Page 5 |
| 5. Z-Clip/Z-Bar Mounting..... | Pages 9-12 |
| 6. H & J Molding Mounting..... | Page 13 |

Adhesive Mounting Installation Instructions: Architectural Solutions 100, 200, 300, 400, 500, 600, 900 & 1000 Wall Panels

Recommended Adhesives

<u>Manufacturer</u>	<u>Part # and/or Retail Name</u>
Imperial	P1915 H
Imperial	P1915
ChemRex-Contech	PL400
ChemRex-Contech	PL Premium
H.B. Fuller	Max Bond PA

Solutions 100

1. Using an appropriate cartridge type construction grade adhesive, run a continuous 3/8" bead on the wall where the panel will be located around the perimeter approximately 2" from the edge and 2 beads 16" on center down the length.
2. Place panel in position and press firmly. A roller may be helpful to spread and complete bond.
3. Continue procedure for all the panels in the same manner.

Solutions 200, 300, 400, 500 & 600

1. Cartridge Method - Using an appropriate cartridge type construction grade adhesive, run a continuous 3/8" bead on the wall where the panel will be located around the perimeter approximately 2-3" from the edge and 2 beads 16" on center down the length.

OR

1. Daub Method - Using an appropriate construction grade adhesive, place walnut-sized daubs of adhesive 6-8" from the edges and 20-24" apart on the back of panel. Use 12 daubs on 8' and 9' panels, and 14 daubs on 10' panels.
2. Place panel in position and press firmly.
3. Continue procedure for all the panels in the same manner.

Note: Solutions 400 and 600 panels are fiberglass and have resin hardened areas which are visible on the backside of the panels. Adhesive must be placed at the center of each hardened area.

Solutions 900 & 1000

1. Cartridge Method - Using an appropriate cartridge type construction grade adhesive, run a continuous 3/8" bead on the wall where the panel will be located around the perimeter approximately 2-3" from the edge and 2 beads 16" on center down the length.

OR

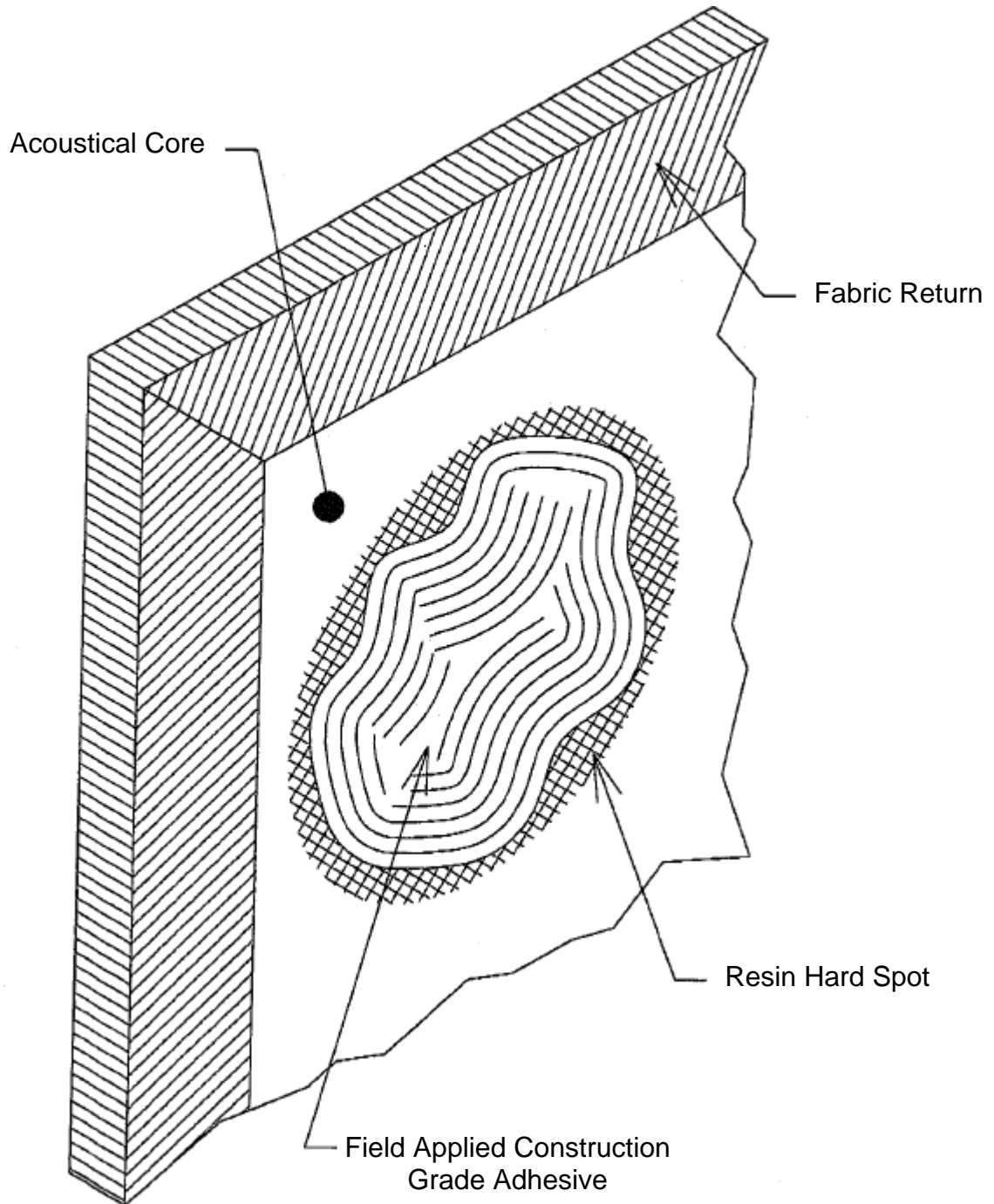
1. Notched Trowel – Apply a 4" wide continuous ribbon around the perimeter. Apply additional ribbons not more than 24" on center across the width of the panel with a notched trowel having 1/4" deep notches spaced 1/2" on center.

2. Place panels against the wall.
3. Remove the panel to prime adhesive.
4. Reset the panel and plumb.
5. If panel top and bottom are exposed, countersink #6d galvanized finishing nails 12" on center with 2" of the top and bottom edges, and pick fabric finish to cover nail hole.

OR

5. Brace panels in position for 8 hours.

Adhesive Mounting



Impaling Clip Mounting Installation Instructions: Architectural Solutions 200, 300, 400 & 600 Wall Panels

1. Impaling clips offer the advantage of a mechanical mounting system. They are intended to augment, not replace, adhesive mounting. Adhesive mounting is required with the use of impaling clips.
2. Install impaling clips onto the wall surface using standard drywall screws with prongs facing away from the wall.
 - For Solutions panels up to 4'x4' use 4 impaling clips, one at each corner.
 - For Solutions panels up to 4'x8' use 6 impaling clips.
 - For Solutions panels up to 4'x9' and 4'x10' use 8 impaling clips.
3. Apply 3/8" bead of construction grade adhesive across prongs.
4. Position panel at desired location.
5. Press panels firmly into place.

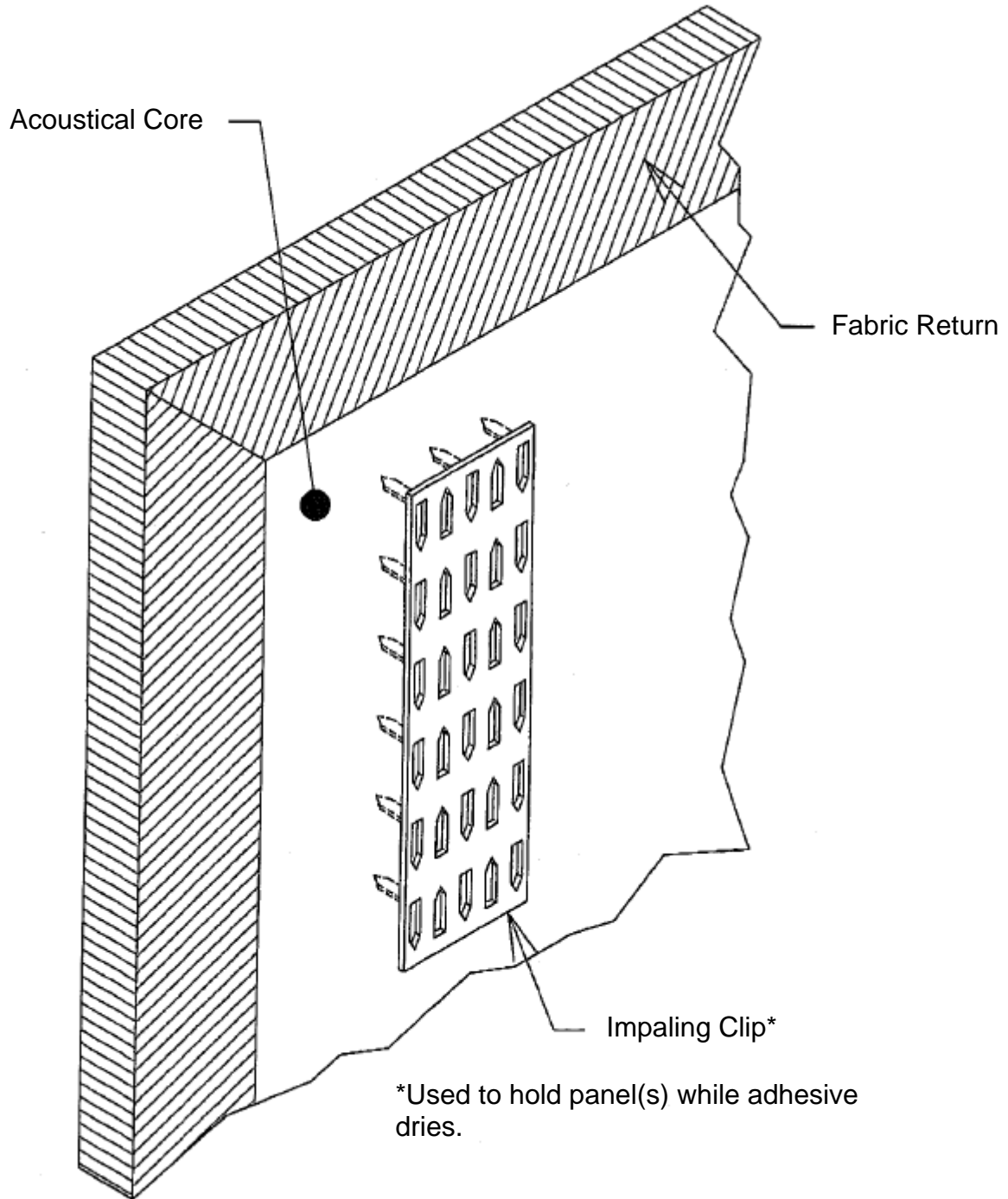
Velcro® Mounting Installation Instructions: Architectural Solutions 100, 200, 300, 400 & 600 Wall Panels

1. Velcro mounting is excellent for securing panels to walls; however, it is not designed to continuously hold the free hanging weight of the panels. In situations where Velcro would be subjected to shear and continuous stress, successful applications can be achieved combining Velcro with other mounting systems appropriate for supporting weight. Suitable weight supporting alternatives include: angles at the bottom of the panel, finish nails, impaling clips, and adhesive.
2. The approximate amount of Velcro required to install the various size panels ordered is provided. The Velcro loop is factory attached to the back of the panels. The hook portion is locked onto the loop and has a pressure sensitive adhesive for attaching to the wall surface.

Note: The wall surface must be flat and free from any dirt, grease, oil, or moisture. For best results, both the wall and hook tape should be at or near room temperature (72°F).

3. Remove release liner from back of Velcro hook pieces.
4. Place panel in position at the bottom level line and edge at plumb line (starting point).
5. Press panel firmly in place at all the Velcro locations.
6. If desired, Velcro hook may be reinforced with staples.

Impaling Clip Mounting



Concealed Spline Mounting Installation Instructions: Architectural Solutions 500, 700, 900 & 1000 Wall Panels

Note: Field applied adhesive is recommended in conjunction with Spline Mounting

First Panel Installation

1. Plumb and install starter spline with 5 to 6 evenly spaced drywall screws in the starter slots provided.
2. Insert panel kerf over starter spline.
3. Insert a plumb H-Spline to the opposite side of the panel and fasten to the wall using 5 to 6 screws equally spaced.

Cut Panel Installation

1. Measure panel size and transfer measurements to back side of panel.
2. Cut through back side of panel using care not to cut through the facing material.
3. Remove all scrap material from facing.
4. Apply contact adhesive to the back side of facing and panel.
5. Wrap facing around panel edge and secure tightly to back.
6. Apply a 3/8" bead or daubs of construction grade adhesive along the back of the cut side of the panel.
7. Install H-Spline to the wall using screws.
8. Insert leading edge of the next panel into the previously attached H-Spline.
9. Insert another H-Spline into trailing edge and attach to the wall as before.
10. Proceed along the wall as above with full panels.

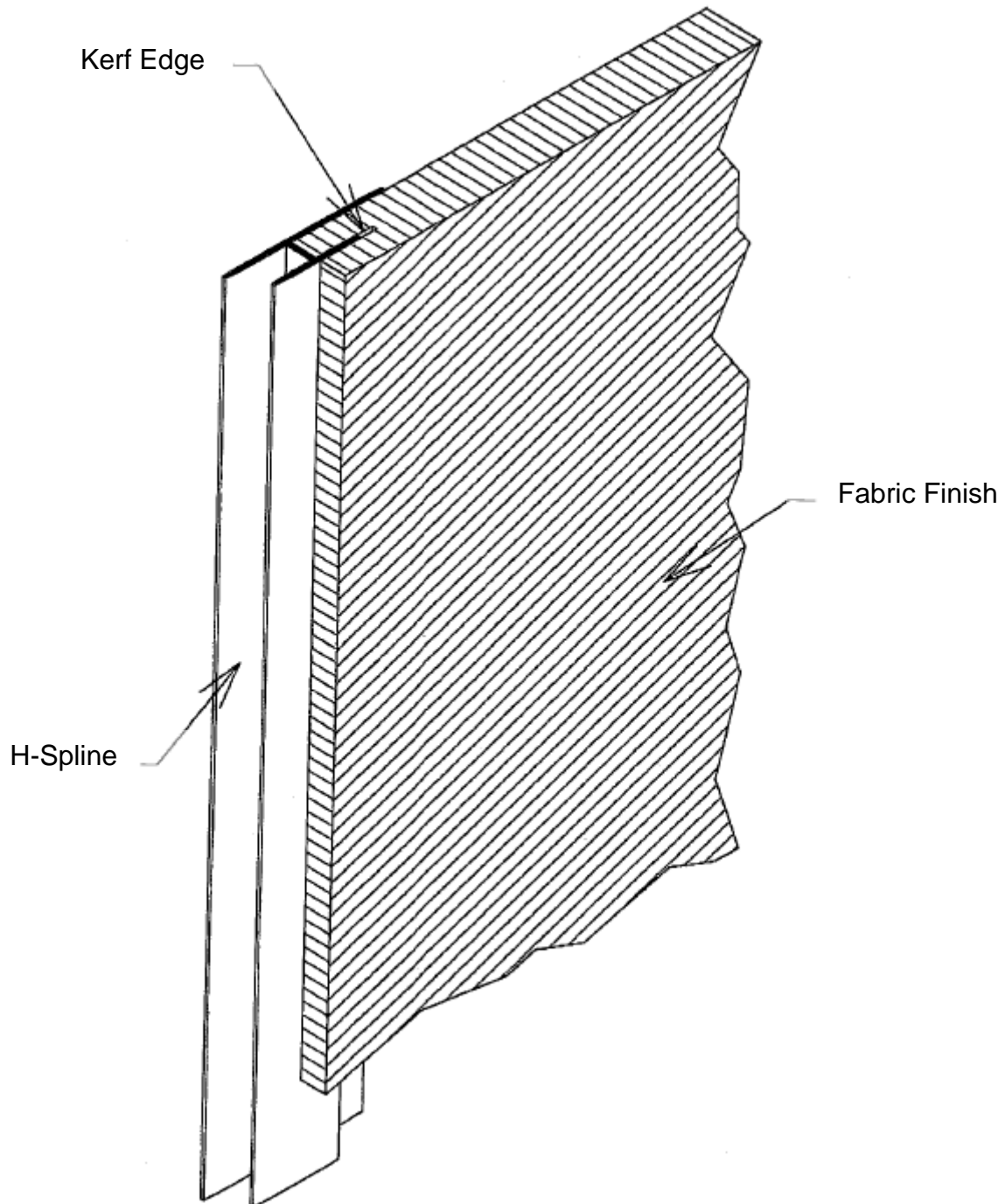
Last Full Panel Installation

1. Apply adhesive to the trailing edge to secure last panel.
2. Position leading edge kerf on last spline.
3. Tilt or rotate panel into place.

Last Cut Panel Installation

1. Measure, cut and wrap cut edge as done with first panel.
2. Apply adhesive to cut edge of panel.
3. Position leading edge kerf on last spline.
4. Tilt or rotate panel into place.
5. When panels are to be stacked vertically on a wall, use 2 J-moldings, H-moldings, or Wood furring with finish trim to cover upper and lower panel edges.

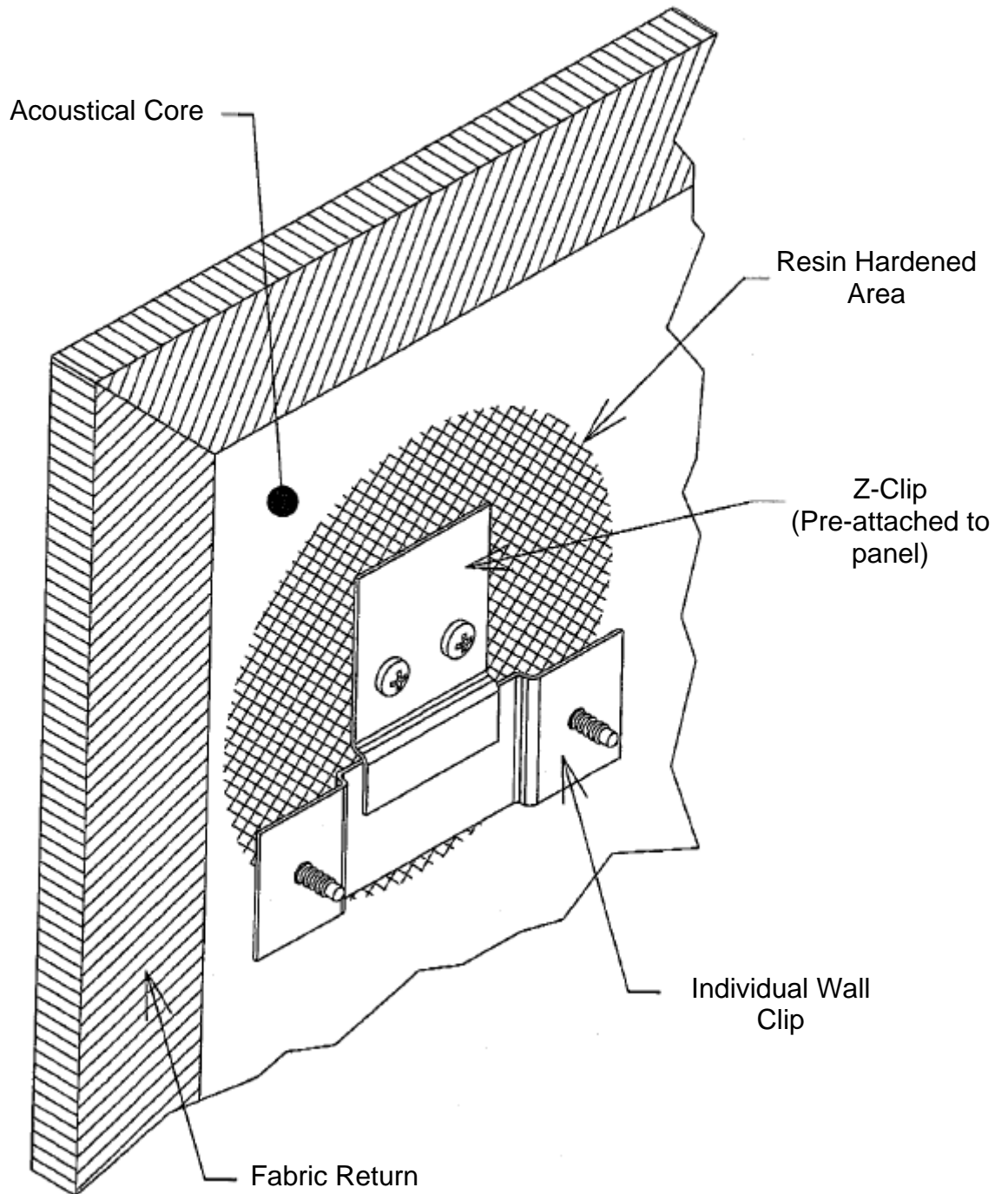
Concealed Spline Mounting



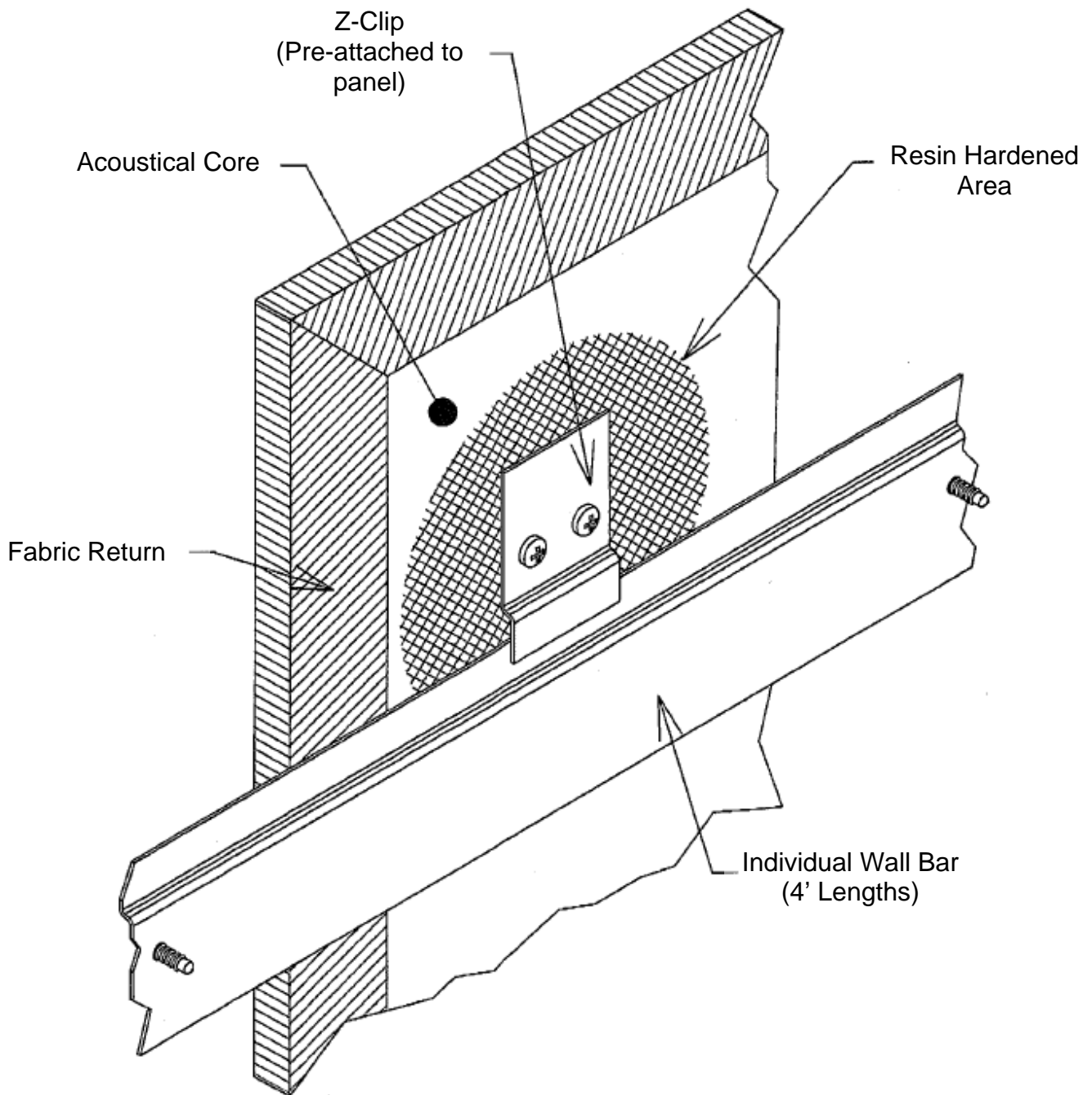
Z-Clip/ Z-Bar Mounting Installation Instructions:
Architectural Solutions 200, 300, 400, 500, 600, 900 &
1000 Wall Panels

1. Z-Clips are factory mounted to the back side of the Solutions Wall Panels. Matching Wall Clips or Wall Bars are also provided. Wall Clips work best with free floating panels. Wall Bars are 48" in length, and are used with panels designed to be abutted. Both may be easily mounted to the wall surface at the job site.
2. Measure from the bottom of the panel to the top of the throat support edge of the first factory installed Z-Clip and transfer to the wall surface.
3. Set top of Wall Clip/Z-Bar on this line and repeat as required.
4. After the locations of all the clips have been determined, chalk level lines on the wall surface at the heights required.
5. Install Z-Clips/Z-Bars to the wall surface using appropriate fasteners.
6. Install first panel and check that the panel is level and plumb, shim as required.

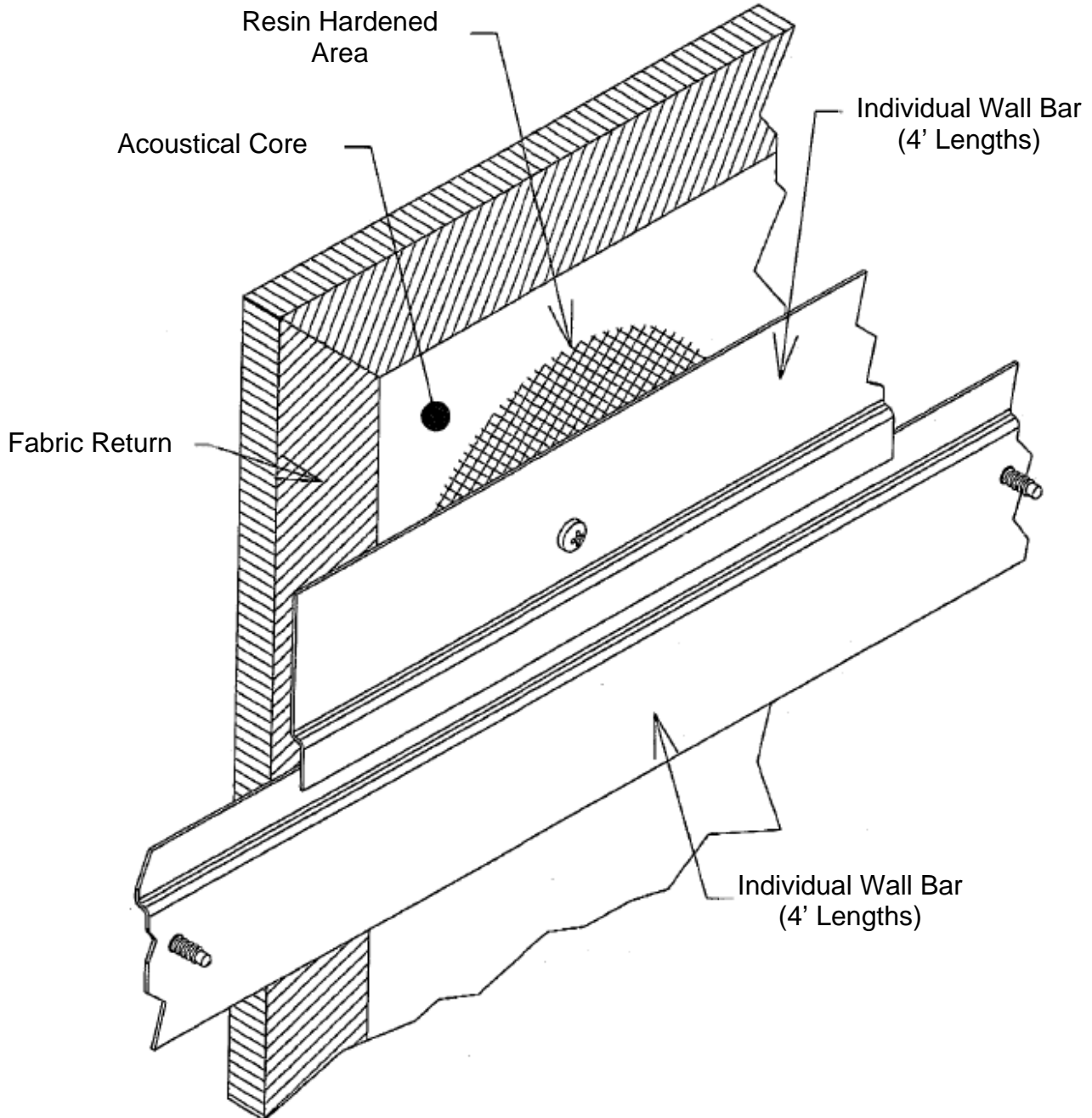
Z-Clip Mounting



Z-Clip/ Wall Bar Mounting



Wall Bar/Wall Bar Mounting



H & J Molding Mounting Installation Instructions: Architectural Solutions 800 Wall Panels

1. Attach vertical and horizontal J-molding at starting position with 5 to 6 evenly spaced drywall screws.
2. Insert panel into J-molding at starting position.
3. Attach H-molding to the opposite side of the panel and fasten to the wall with screws.
4. Insert leading edge of the next panel into previously attached H-molding.
5. Place another H-molding onto the trailing edge and attach to the wall as before.
6. Proceed along the wall as described with all full panels.

Last Panel Installation

7. Adhere J-molding to trailing edge of panel.
8. Apply 3/8" bead of adhesive to back side of panel.
9. Tilt or rotate into place.