

CertainTeed

RESTORATION MILLWORK[®]

Fiber Cement Skirtboard

CertainTeed 

Quality made certain. Satisfaction guaranteed.[™]

RESTORATION MILLWORK®

A Great Start, a Quality Finish

Constructed of a highly durable cellular PVC, Restoration Millwork® Fiber Cement Skirtboard is the ideal solution for meeting U.S. building codes requiring 6" ground clearance when installing fiber cement siding. Also suited for use as a transition panel between siding styles, Fiber Cement Skirtboard offers added advantages in installation accuracy, performance and style.

Designed with a beveled angle for a perfect fit with fiber cement siding, this angle is on both edges and also acts as a built-in drip edge, protecting against water buildup. For ultimate style flexibility, Fiber Cement Skirtboard panels are reversible, featuring a TrueTexture™ woodgrain finish on one side and a smooth finish on the other.



High-Performance Cellular PVC

While CertainTeed cellular PVC looks and feels like top-grade lumber, it provides performance and aesthetic advantages that wood and other materials just can't match.

- ◆ Available with smooth and TrueTexture™ woodgrain.
- ◆ Superior quality and excellent dimensional accuracy.
- ◆ Low maintenance, long-lasting material.
- ◆ Natural White color, or can be painted* to complement or match exterior colors such as CertainTeed ColorMax® Finishing System.
- ◆ Highly resistant to UV yellowing.
- ◆ Cuts and mills with traditional woodworking tools.
- ◆ Class A (Class 1) Flame Spread Classification.
- ◆ Meets ICC and CCMC code requirements.
- ◆ 25-year limited warranty.

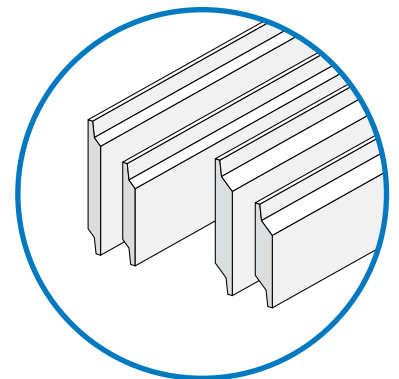
CertaPak™ Packaging

- ◆ Shrink-wrapped in quantities of two or four
- ◆ Stores and transports clean and scuff-free
- ◆ Eliminates cleaning on jobsite



4 Sizes Available

- 1" x 6" x 12'
- 1" x 8" x 12'
- 5/4" x 6" x 12'
- 5/4" x 8" x 12'

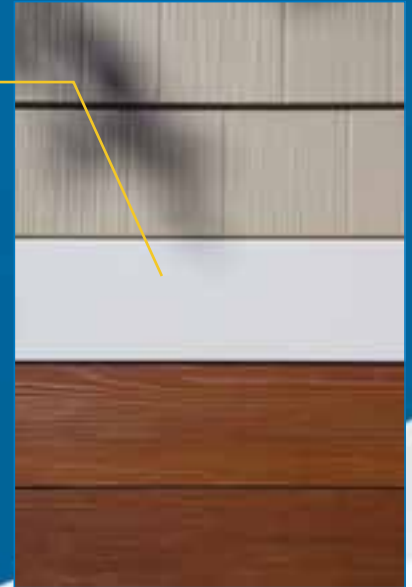


*For more information on painting, refer to (RM048) VinylSafe Paint Color Guide and (RM003) Installation Guide.



Use as a Skirtboard or Transition Panel

Fiber Cement Skirtboard can be used as a Skirtboard when starting your fiber cement siding installation, as well as a trimboard for use in transition areas between different siding styles. Fiber Cement Skirtboard is ideal for lap siding and perfection shingles, as well as with shapes.



Beveled for Precise Installation

Featuring a slight angle at the top lap, Fiber Cement Skirtboard is designed to match the angle of fiber cement siding panels, when used as a starter strip, enabling a perfect fit, without gaps or spaces.

Two Widths, Two Thicknesses

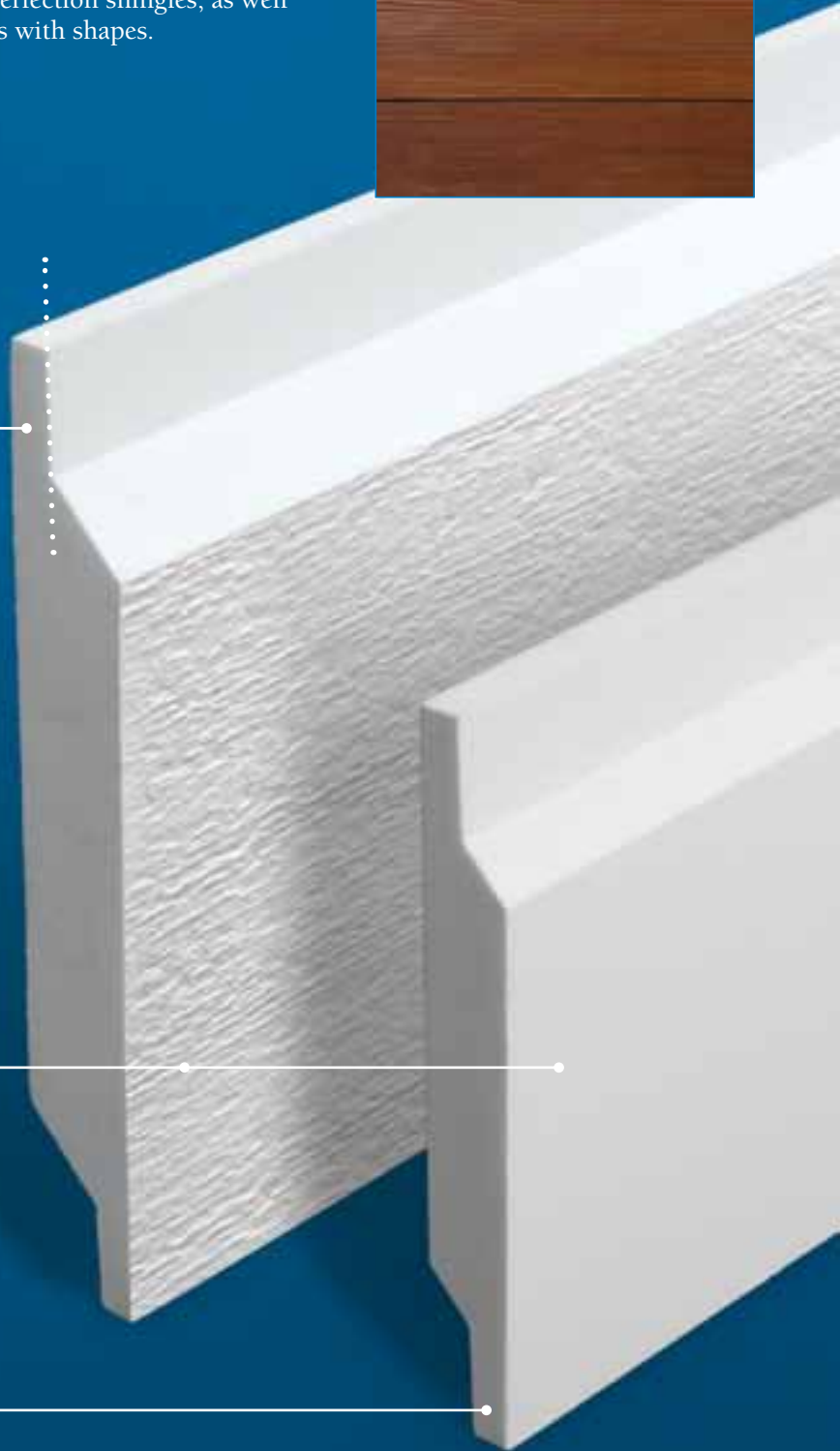
Panels are available in 6" and 8" widths, either 1" or 5/4" thick and 12 feet long.

DualStart™ Design

Reversible Fiber Cement Skirtboard (patent-pending) panels feature a CertainTeed exclusive TrueTexture™ woodgrain finish on one side, and a smooth finish on the other. The top and bottom edges are identical so when flipped over there will always be a beveled edge at the top to set the first course and built-in drip edge at the bottom.

Built-In Drip Edge

Fiber Cement Skirtboard panels are identically notched on both top and bottom, creating a natural drip edge, stopping water from traveling back to the house.



RESTORATION MILLWORK® PRODUCT LINE

Traditional



Trimboards
Regular & J-Pocket
Smooth & Woodgrain



One-Piece Corners
Regular & J-Pocket
Smooth & Woodgrain



Beadboard Panel



Beadboard



J-Pocket with Cut-out
Smooth & Woodgrain



Fiber Cement Skirtboard
Smooth & Woodgrain



Classic Column Wrap



Estate Column Wrap



Sheets
Smooth & Woodgrain

All trimboards, sheets and one-piece corners are available in smooth and woodgrain. Consult product catalog (RM029) for the complete product offering.

Adhesives
CertainTeed offers both TrimTight™ and Bond & Fill® adhesives for a perfect long lasting bond.



Profiles



#45, 47, 49 Crown



Brickmould



J-Channel Brickmould



Back Band



Adjustable Back Band



Base Cap



Drip Cap



Inside Corners



Rake



Rams Crown



356 Casing



RB3 Casing



Quarter Round



Sill



Shingle Mould



Sill Nose



Lattice



Bed Mould

NEW Satin Finish Profiles

Improved paintability!



buildingresponsibly™

ASK ABOUT OUR OTHER CERTAINTEED PRODUCTS AND SYSTEMS:

EXTERIOR: ROOFING • SIDING • WINDOWS • FENCE • RAILING • TRIM • DECKING • FOUNDATIONS • PIPE
INTERIOR: INSULATION • GYPSUM • CEILINGS

CertainTeed Corporation
P.O. Box 860
Valley Forge, PA 19482

Professional: 800-233-8990
Consumer: 800-782-8777
www.certainteed.com

CertainTeed