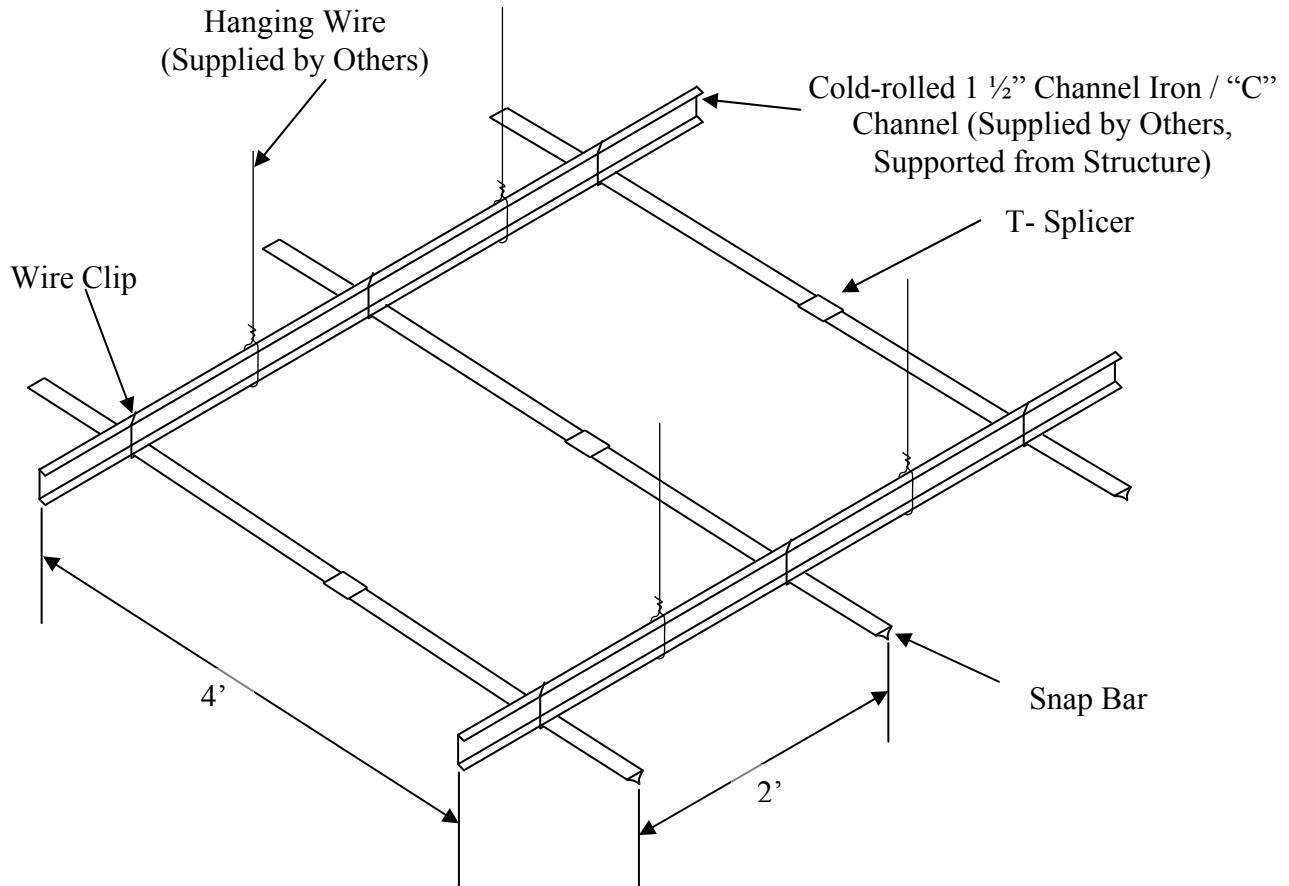


CertainTeed Ceilings

[Landmark™ Metal Ceilings: Concealed Snap-in Installation Instructions](#)



Pre-Installation: *Please read CertainTeed Ceiling's Pre-Installation Instructions before you begin these installation instructions.*

1. Installing Wall Molding

- Mark the desired height for the finished surface of the ceiling on all four walls.
- Attach Channel Wall Molding using appropriate fasteners.

2. Install Hangers

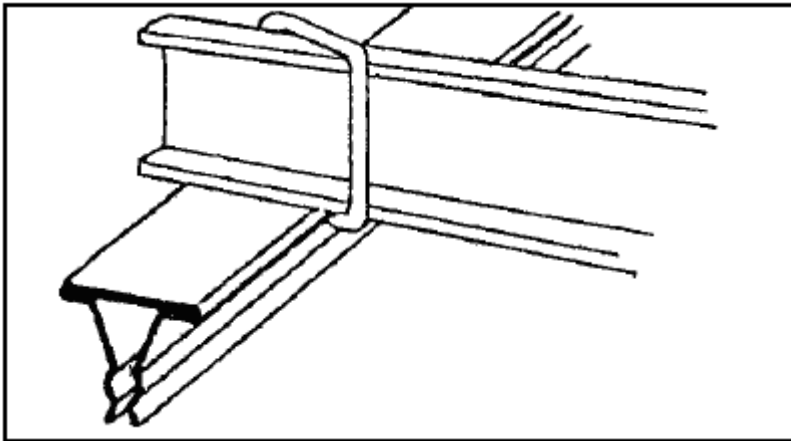
- Mark lines for each of the "C" Channels.
- Pull a string line along the path that the first "C" Channel will take. Attach the line directly below the wall molding.
- #12 Gauge hangers should be placed every 48" along the "C" Channels.

3. Install the “C” Channels

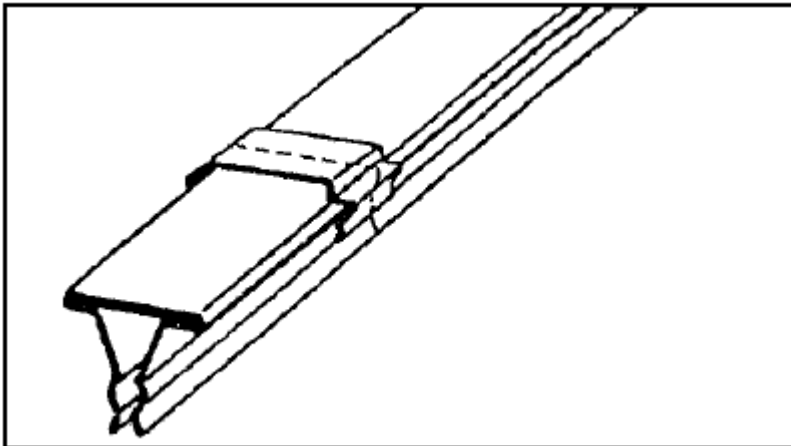
- Install the first section of “C” Channel by looping the hanging wire around the channel and twisting.

4. Install Snap Bars

- Establish the location of the first Snap Bar. (See the Pre-Installation Instructions for Room Layout Instructions).
- Install the first Snap Bar perpendicular to the “C” Channels using Wire Clips as illustrated below.



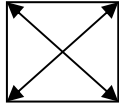
- Use additional Wire Clips along the length of the Snap Bars.
- If required, use T-bar Splicer to splice the ends of Tee Bars together as illustrated below.



- Install the remaining Snap Bars 2 feet on center.

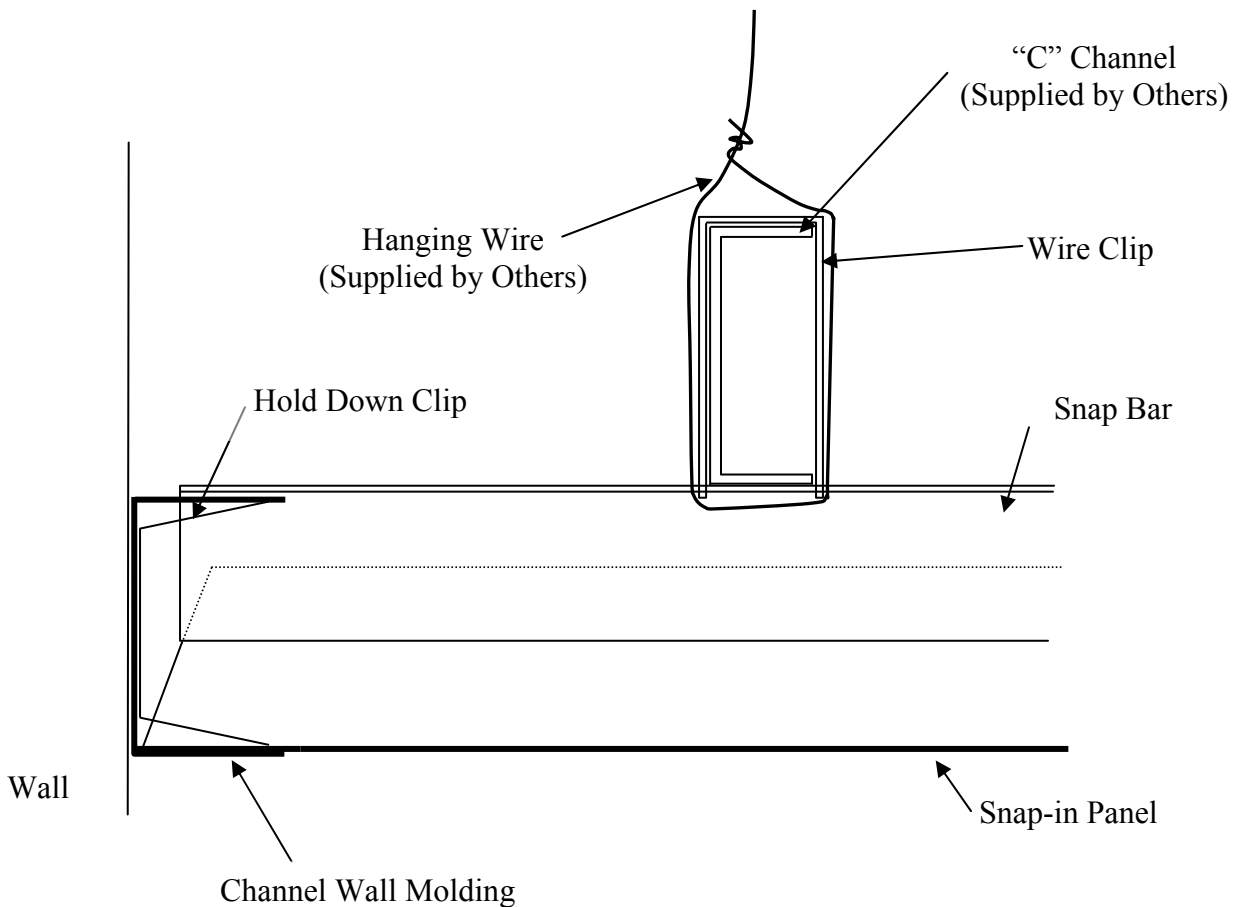
5. Square the Grid System

- Check to see if the system is square by measuring diagonally across the opening between the Snap Bar and the “C” Channel. The measurements should be the equal if the system is square.



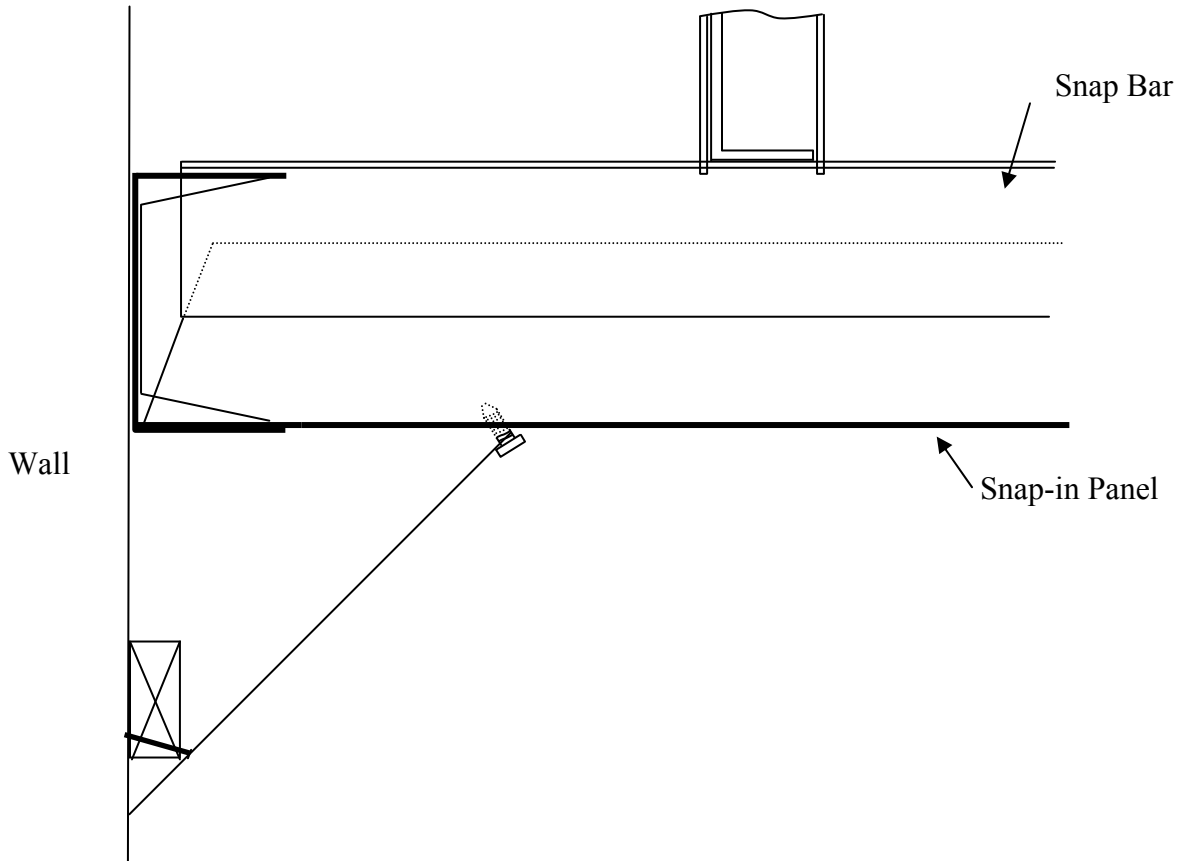
6. Install Border Panels

- Put on white gloves.
- Border panels must be installed first because they fit into the channel wall molding and are clipped (illustrated below).

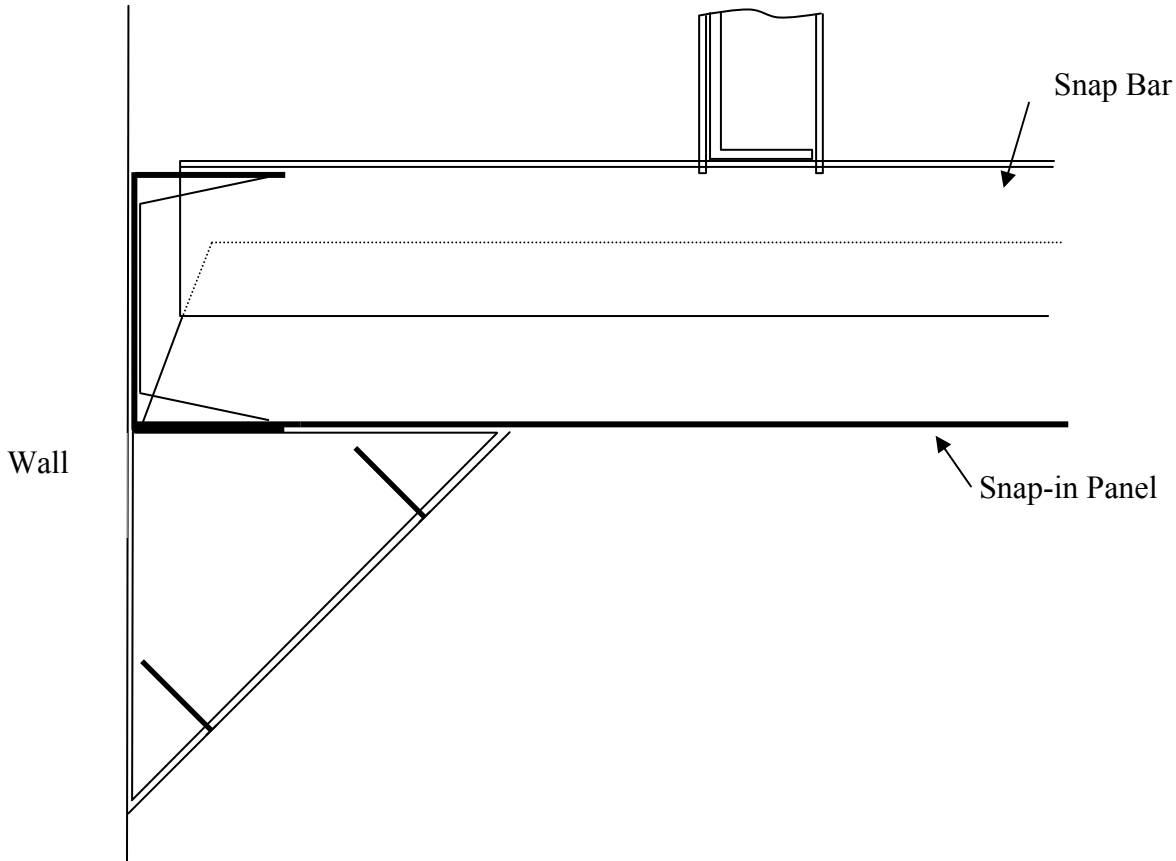


- To cut border panels, measure the desired distance, then, using a band saw, cut the panel 1/8” shy of your desired length.
- Install the panel cut end first, and then install the factory edges.
- Install a hold down clip to prevent buckling.
- Corner panels should be installed in the sequence illustrated on the next page.

- Option 2: Screw cornice to ceiling panels and nail to a furring strip every 6 inches. Corners should be mitered.



- Option 3: Rip a piece of lumber to match the contour of the cornice. Nail the cut lumber to the wall to act as a furring strip. Nail the cornice to the furring strip. Corners should be mitered.



FOR PRODUCT AND INSTALLATION QUESTIONS:

- Call 1-800-233-8990 (Monday-Thursday: 7:30 am-6:30 pm; Friday: 7:30 am-6:00 pm EST); English, Spanish and French speakers available. Or email ceilingtechnicalservices@certainteed.com.

ASK ABOUT ALL OF OUR OTHER CERTAINTEED® PRODUCTS AND SYSTEMS:

ROOFING • SIDING • TRIM • WINDOWS • DECKING • RAILING • FENCE
INSULATION • GYPSUM • CEILINGS • FOUNDATIONS • PIPE

CertainTeed Corporation
P.O. Box 860
Valley Forge, PA 19482

Professional: 800-233-8990
Consumer: 800-782-8777

www.certainteed.com <http://blog.certainteed.com>

© 05/10 CertainTeed Corporation
Code No. CTC-4808

