

# 15/16" Classic Aluminum Capped Stab System

CEILING SUSPENSION SYSTEMS

## Specification Sheet

The Aluminum Capped Stab System is for areas where moisture is a concern, such as commercial kitchens, laboratories and computer rooms.

### Features & Benefits:

- Double web design for lasting durability and strength.
- Bayonet style couplings featured on main runners for easy installation.
- Cross tees are stepped-end, and are offered in 2' and 4' lengths.
- Cross tees feature staked-on end tabs for optimal tightness for ease of installation.
- Grid features G30 hot-dipped galvanized steel web construction for corrosion resistance.
- Satisfies USDA/FSIS guidelines for sanitary applications.
- 25% recycled content (20% post-consumer, 5% pre-consumer).
- Available in white, black and standard color options.\*



### Attributes:

MAIN RUNNER ITEM #	LENGTH	HEIGHT	FACE	METAL THICKNESS	Allowable Load (lbs./lin.ft (kg/m) Hanger Spacing)
					ASTM C635 4' (1220mm)
<b>ACS12-12-15</b>	12' (3660mm)	1-1/2" (38mm)	15/16" (24mm)	0.015" (0.38mm)	Intermediate Duty 12.00 (17.90)

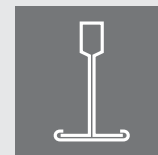
*Slotted 6" o.c.*

CROSS TEE ITEM #	LENGTH	HEIGHT	FACE	METAL THICKNESS
<b>ACS2-12-12</b>	2' (610mm)	1-1/2" (38mm)	15/16" (24mm)	0.012" (0.30mm)
<b>ACS4-12-12*</b>	4' (1220mm)	1-1/2" (38mm)	15/16" (24mm)	0.012" (0.30mm)

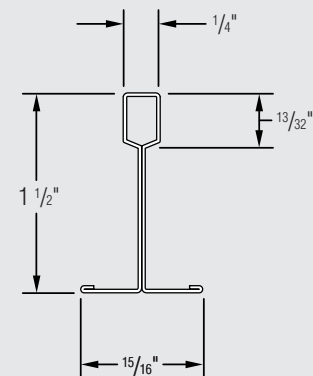
*\*Slotted 12" o.c.*

WALL ANGLE ITEM #	LENGTH	HEIGHT	FACE	METAL THICKNESS
<b>WA15-15SAL (All Aluminum)</b>	12' (3660mm)	15/16" (24mm)	15/16" (24mm)	0.024" (0.61mm)
<b>WA15-15</b>	12' (3660mm)	15/16" (24mm)	15/16" (24mm)	0.020" (0.51mm)

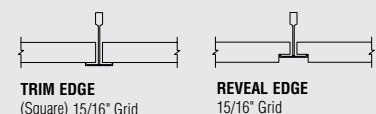
\* For special order finishes and standard color options, consult your CertainTeed Ceilings Sales Representative for availability, pricing, and minimum order quantities.



### Main Runners:



### Selected Popular Edge Details:



# Long Form Specifications

## Classic Aluminum Capped Stab System

### Section 09510 - Acoustical Ceilings

#### PART 1 - GENERAL

##### 1.1 Section Includes

Provide metal suspension system for lay-in acoustical panel ceiling.

##### 1.2 Related Sections

- A. Section 09120 - Ceiling Suspension Systems
- B. Section 09250 - Gypsum Board
- C. Section 09545 - Special Ceiling Surfaces
- D. Section 13020 - Integrated Ceilings
- E. Section 13080 - Sound, Vibration, and Seismic Control
- F. Section 15500 - Heating, Ventilating, and Air Conditioning
- G. Section 16500 - Lighting

##### 1.3 References

- A. American Society for Testing and Materials (ASTM)
  - 1. C 635 - Standard Specification for the Manufacture, Performance, and Testing of Metal Suspension Systems for Acoustical Tile and Lay-In Panel Ceilings.
  - 2. C 636 - Standard Practice for Installation of Metal Ceiling Suspension Systems for Acoustical Tile and Lay-In Panels.
  - 3. E 580 - Standard Practice for Application of Ceiling Suspension Systems for Acoustical Tile and Lay-In Panels in Areas Requiring Moderate Seismic Restraint.
- B. Ceiling & Interior Systems Construction Association (CISCA)
  - 1. Ceiling Systems Handbook
  - 2. Guidelines for Seismic Restraint Direct Hung Suspended Ceiling Assemblies

##### 1.4 Submittals

- A. Product data sheets listing dimensions, load carrying capacity and standards compliance.
- B. Samples: 12 inch long samples of main runner and cross tee with couplings.

##### 1.5 Project Conditions

- A. Environmental Requirements:
  - 1. Verify weathertightness of area to receive suspension system prior to installation.
  - 2. Wet trades work to be thoroughly dry and complete prior to suspension system installation.
  - 3. Installation to begin only when temperature and humidity conditions closely approximate interior conditions which will exist when area is complete and occupied.
  - 4. Heating and air conditioning systems to be operating prior to, during, and after installation.
  - 5. High humidity environments are acceptable.

##### 1.6 Maintenance

Furnish additional material equal to \_\_\_\_\_ percent of ceiling area.

#### PART 2 - PRODUCTS

##### 2.1 Manufacturers

- A. Suspension Systems:
  - 1. CertainTeed Ceilings Classic Aluminum Capped System

##### 2.2 Suspension System Components

- A. Main Runners:
  - 1. Manufactured from 0.015 inch thick corrosion-resistant (G30) steel 15/16 inch wide by 1-1/2 inches high by 144 inches long with factory punched cross tee slots, hanger holes, and integral bayonet-style end couplings. Double web intermediate duty ceiling suspension system.
  - 2. Capped with aluminum capping affixed to 15/16 inch flange.
  - 3. Coated with factory-applied standard color baked-on enamel paint finish.
  - 4. Manufactured with fire expansion reliefs.
- B. Cross Tees:
  - 1. Manufactured from [0.012 inch thick corrosion-resistant (G30) steel] [0.012 inch thick corrosion-resistant steel] 15/16 inch wide by 1-1/2 inches high by [24] [48] inches long with factory punched cross tee slots and hanger holes.
  - 2. Capped identical to main runners.
  - 3. Finished identical to main runners.
  - 4. Manufactured with factory attached stainless steel couplings on component ends.
  - 5. Manufactured with fire expansion reliefs.
- C. Perimeter Treatment Components:
  - 1. Type: [angle, shadow-line, channel]
  - 2. Profile: As selected by the Architect
- D. Attachment Devices:
  - Size for five times design load indicated in ASTM C 635, Table 1, Direct Hung unless otherwise indicated.
- E. Wire for Hangers and Ties:
  - Class 1 zinc coating, soft temper, prestretched, with a yield stress load of at least three times design load, but not less than 12 gage.
- F. Accessories

#### PART 3 - EXECUTION

##### 3.1 Examination

Examine area receiving suspension system to identify conditions which will adversely affect installation. Do not begin installation until adverse conditions have been remedied.

##### 3.2 Installation

- A. Install the ceiling system in accordance with the following:
  - 1. Manufacturer's printed instructions
  - 2. ASTM C 636, E 580
  - 3. Ceilings & Interior Systems Construction Association (CISCA) recommendations
  - 4. Applicable local code requirements
  - 5. Approved shop drawing
- 3. Install suspension system requiring seismic restraint in compliance with ASTM E 580, CISCA recommendations and with the authorities having jurisdiction.
- B. [Angle] [Shadow Line] Moldings: Installed on vertical surfaces, intersecting suspension components, by appropriate method in accordance with industry-accepted practice.
- C. Additional Hanger Wires: Wrapped tightly 3 full turns to structure and component at locations where imposed loads could cause deflection exceeding 1/360 span.

##### 3.3 Adjustments and Cleaning

- A. Remove damaged components, replace with undamaged components. Clean with non-solvent based non-abrasive commercial cleaning solution.

Characteristics, properties or performance of materials or systems manufactured by CertainTeed herein described are derived from data obtained under controlled test conditions. CertainTeed makes no warranties, express or implied, as to their characteristics, properties or performance under any variations from such conditions in actual construction. CertainTeed assumes no responsibility for the effects of structural movement.

NOTICE: The information in this document is subject to change without notice. CertainTeed assumes no responsibility for any errors that may inadvertently appear in this document.

#### ASK ABOUT ALL OF OUR OTHER CERTAINTEED® PRODUCTS AND SYSTEMS:

ROOFING • SIDING • TRIM • WINDOWS • DECKING • RAILING • FENCE  
INSULATION • GYPSUM • CEILINGS • FOUNDATIONS • PIPE

CertainTeed Corporation  
P.O. Box 860  
Valley Forge, PA 19482

Professional: 800-233-8990  
Consumer: 800-782-8777

[www.certainteed.com](http://www.certainteed.com)

<http://blog.certainteed.com>

© 05/10 CertainTeed Corporation  
Code No. CTC-4815