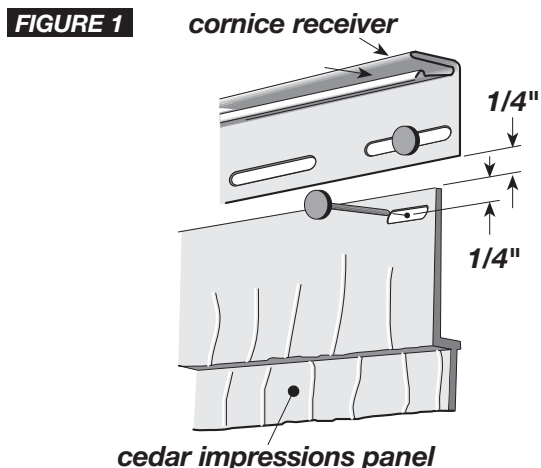


These instructions describe and illustrate the steps involved in installing CertainTeed siding and trim. Their purpose is to provide detailed information and how-to tips that will simplify the installation process. CertainTeed shall not accept any liability or responsibility under its written warranty for failure caused by application that does not meet our minimum requirements for proper installation. These requirements are outlined throughout the *CertainTeed Installation Guide (CTS205)*. Any deviations from these requirements should be approved in writing by CertainTeed Corporation.

Creating the perfect cedar look is as easy as installing the combination of Cedar Impressions® Shingles or Shakes with the Cedar Impressions Mitered Cornerpost and Vinyl Carpentry™ cornice molding and cornice cap. The cornice cap seamlessly finishes the installation by covering the gap between the two pieces of cornice molding that intersect at the mitered cornerpost.

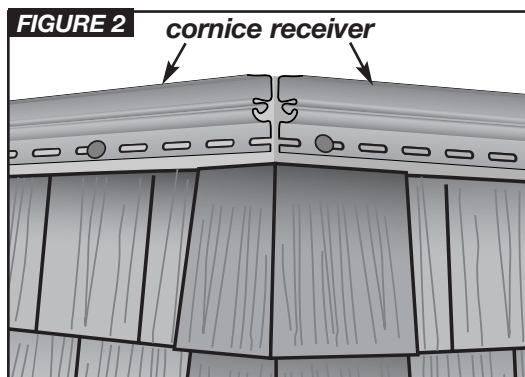
## Install Cornice Molding

To finish the top course of Cedar Impressions Siding, attach cornice receiver or Deluxe F-channel to the top of adjacent walls under the eave or soffit, 1/4" from the edge of the corner. Using a nail slot punch, punch nail slots 1/4" from the trimmed edge of the siding panel, 16" apart. Nail off the top course (figure 1).

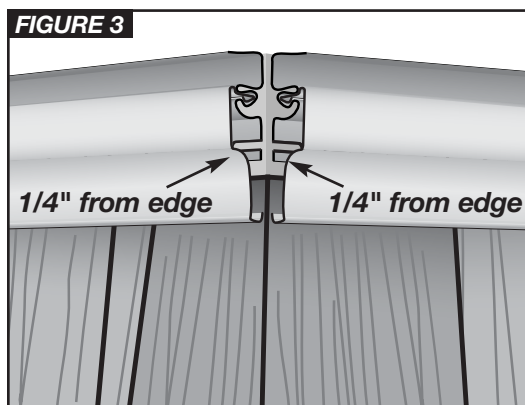


Install the top section of Mitered Cornerpost. Leave 1/4" between the top corner piece and the cornice receiver (figure 2).

## Installation Instructions Cornice Molding and Cornice Cap with Mitered Cornerpost

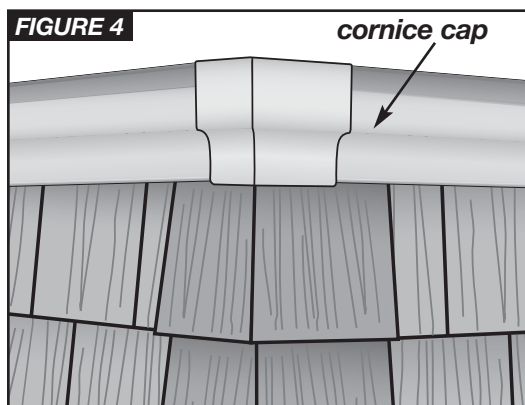


Snap the cornice molding into the cornice receiver. The cornice molding should be 1/4" from the edge of the wall (figure 3).



## Install Cornice Cap

Hook the top of the cornice cap over the end of the cornice moldings and snap the bottom into place (figure 4).



Alternately, you can slide the cornice cap over one of the cornice moldings until the other cornice molding can be inserted.

If you have any questions about installing this product, call us at 800-233-8990.