

These instructions describe and illustrate the steps involved in installing CertainTeed siding and trim. Their purpose is to provide detailed information and how-to tips that will simplify the installation process. CertainTeed shall not accept any liability or responsibility under its written warranty for failure caused by application that does not meet our minimum requirements for proper installation. These requirements are outlined throughout the *CertainTeed Installation Guide (CTS205)*. Any deviations from these requirements should be approved in writing by CertainTeed Corporation.

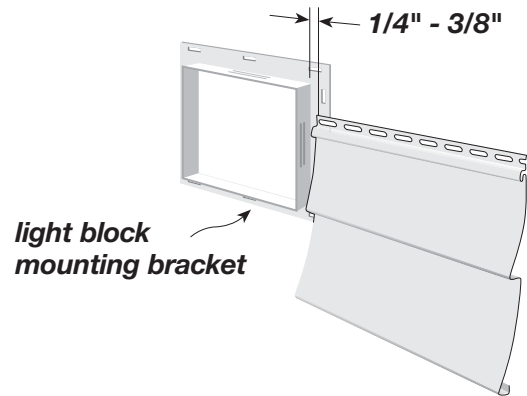
All external products (downspouts, shutters, and lights, for example) are attached to walls after you've applied the vinyl siding.

All external fixtures must be attached to a solid backing (such as 3/4" exterior grade plywood) to provide a secure mounting surface. Never attach a fixture directly to vinyl siding.

When installing external products, you must allow for expansion and contraction of the siding.

You can allow for this movement in two ways:

The most convenient way to attach light fixtures is with light blocks. Because they contain receiving channels to hold siding panels, light blocks provide a simple way to allow for expansion. When cutting panels to fit at a light block, be sure to allow for this expansion.



When attaching other fixtures, drill holes in the siding three times the diameter of screws, bolts, or nails being used to fasten the objects. This provides adequate clearance so the siding **can move freely underneath the attached objects**. When attaching objects, do not fasten tightly. Apply caulk around the screws.

If you have any questions about installing this product, please call us at 800-233-8990.