

These instructions describe and illustrate the steps involved in installing CertainTeed siding and trim. Their purpose is to provide detailed information and how-to tips that will simplify the installation process. CertainTeed shall not accept any liability or responsibility under its written warranty for failure caused by application that does not meet our minimum requirements for proper installation. These requirements are outlined throughout the *CertainTeed Installation Guide (CTS205)*. Any deviations from these requirements should be approved in writing by CertainTeed Corporation.

There are three ways to install crown molding over windows.

### Crown Molding with Cap for 3/4" Pocket J-channel

You will need:

- Crown molding
- (2) crown molding end caps
- 3/4" pocket J-channel header and surround

To use crown molding with 3/4" pocket J-channels, measure the length of the completed J-channel surround and add 2-1/2" (the crown molding overlaps the J-channels by 1-1/4" per side).

Insert crown molding cap into the crown molding and trace the tip shape. Trim as shown.

Insert 1/2 of the crown molding cap into each end of the crown molding lineal. Secure the crown molding with a bead of caulk.

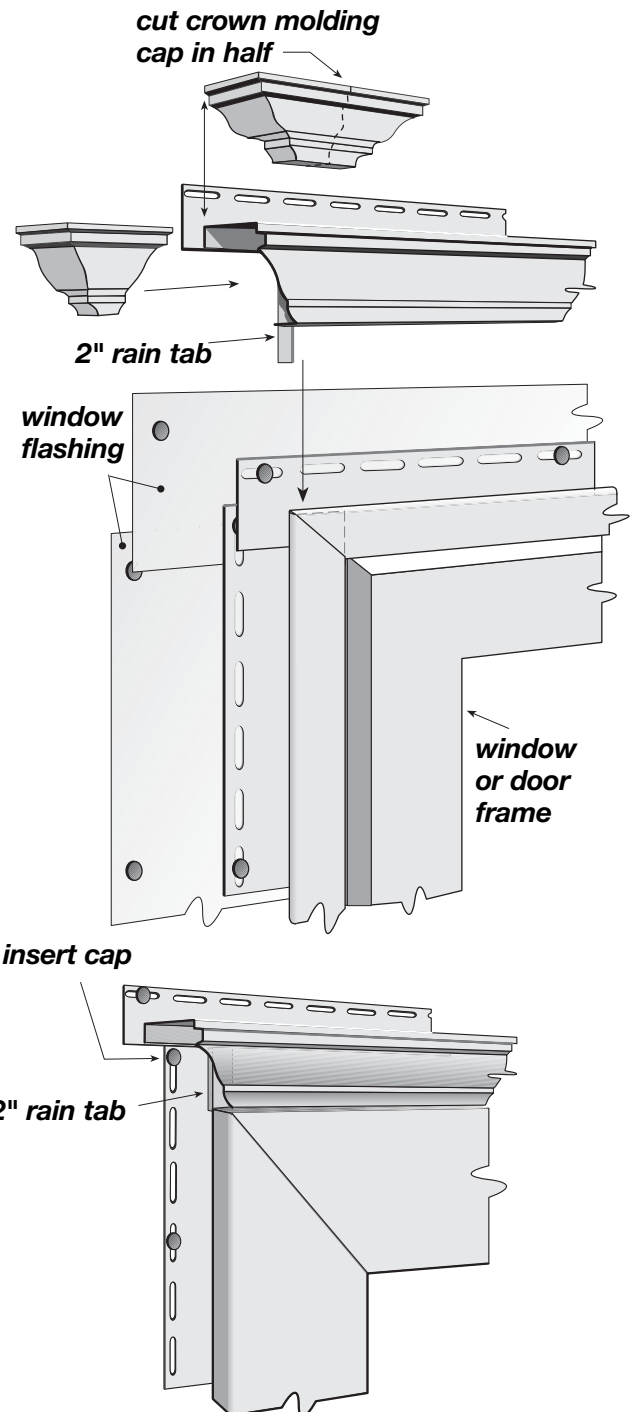
Miter or square cut the J-channel (mitered corner shown). Insert the 3/4" wide rain tab into the receiving channel of the side J-channel.

### Crown Molding with Cap for 3-1/2" Lineals

Other options are possible with the crown molding: For example, use 3-1/2" lineals vertically and at the window base along with a J-channel and crown molding header. The only requirement for using the crown molding is having receiving channels 3/4" wide.

For this, you will need:

- Crown molding
- (2) crown molding end caps
- 3-1/2" lineal header
- 3-1/2" lineal surrounds



In addition to J-channel, crown moldings can also be used with lineals. The following demonstrates how crown molding can be used with various lineal configurations. Above all, remember that before applying accessories and siding, make certain the substrate is watertight. In order to be properly protected from precipitation, the substrate may need to be properly flashed to shed water to the exterior. The siding alone is not meant to be a watertight barrier.

## Crown Molding with Cap for 5" Header Lineal

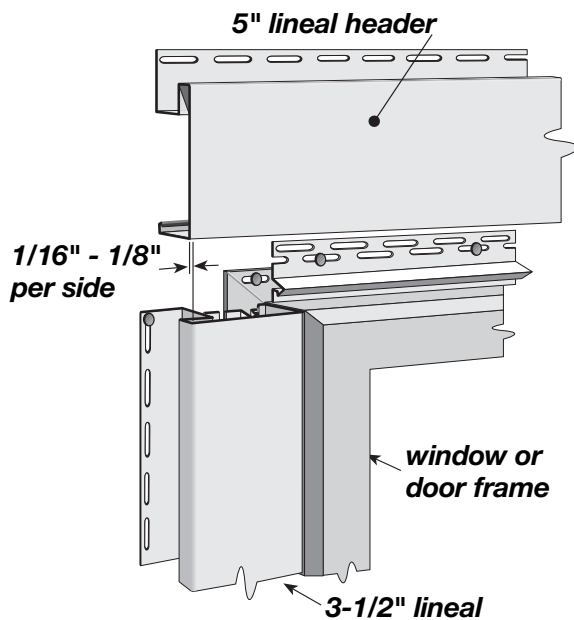
You will need:

- Crown molding
- (2) crown molding end caps
- 5" lineal header
- (2) 5" header end caps
- 3-1/2" lineal surrounds

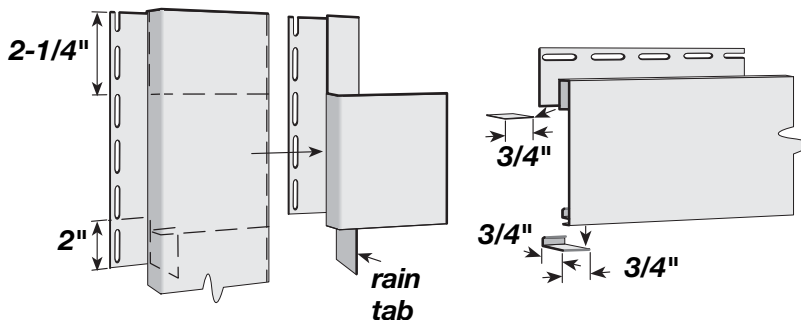
### Crown molding with 5" header and 3-1/2" surrounds.

Determine the header length by measuring from the outside of both side lineals and adding 1/16"-1/8" per side for overlap.

To cut the crown molding, add 2-1/2" to the previously determined header length (1-1/4" added per side).

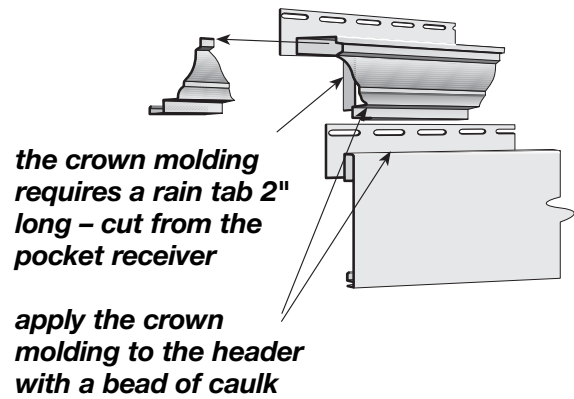


To create the header end cap, cut a 9-1/4" piece of 5" lineal and trim as shown.

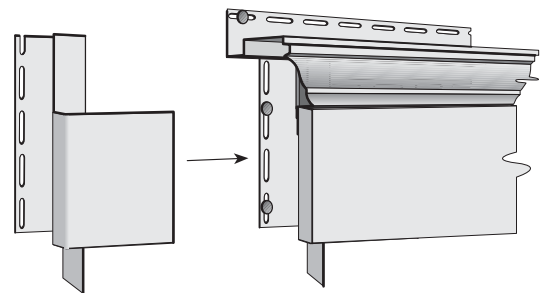


Notch both ends of the header as shown.

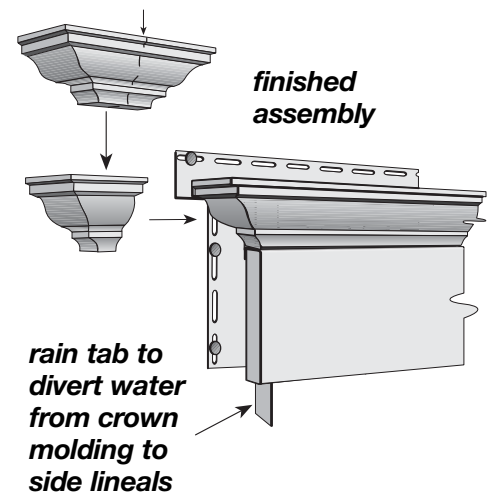
Insert a crown molding cap into the crown molding and trace the shape. Trim as shown.



Insert the header cap.



Cut the crown molding cap in half. Apply each half to the end of the crown molding and secure it with a bead of caulk.



If you have any questions about installing this product, please call us at 800-233-8990.