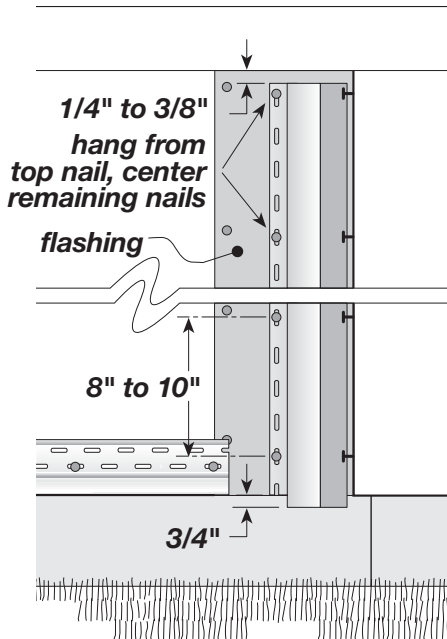


These instructions describe and illustrate the steps involved in installing CertainTeed siding and trim. Their purpose is to provide detailed information and how-to tips that will simplify the installation process. CertainTeed shall not accept any liability or responsibility under its written warranty for failure caused by application that does not meet our minimum requirements for proper installation. These requirements are outlined throughout the *CertainTeed Installation Guide (CTS205)*. Any deviations from these requirements should be approved in writing by CertainTeed Corporation.

There are three options for trimming inside corners: Standard 3/4" inside cornerpost, single J-channel, and two J-channels.

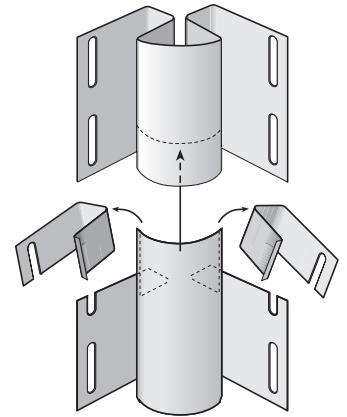
To flash the inside corner, bend a 12"-wide piece of aluminum coil stock 90° so you have two 6" legs. Insert the flashing into the corner. If you use more than one piece of flashing, overlap the upper pieces of the flashing over the lower pieces.



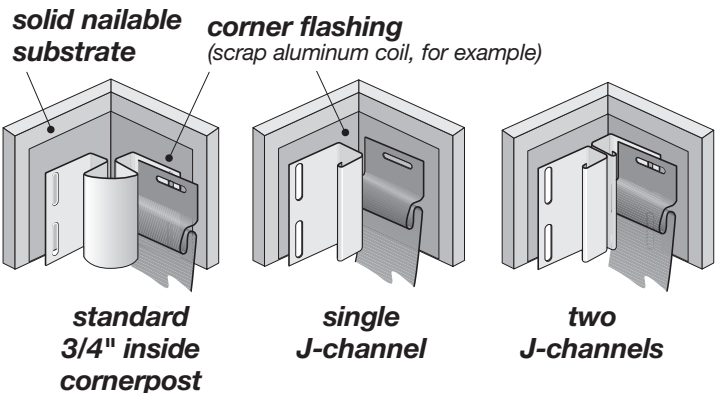
To install inside cornerpost, hang the post from the top of the eave. The bottom should extend 3/4" below the starter strip. Remove the bottom 3/4" of the nailing flange so it does not show below the siding. Set the post straight and true. Position the top nail in the top of the nailing slot. All other nails should be in the center of the nail slots.

If you have to splice the inside cornerpost, cut 1" off all but the outer face of the lower post. Lap 3/4" of the upper post over the lower post, leaving 1/4" for expansion.

inside cornerpost splice



If you are using two pieces of J-channel instead of inside cornerpost, flash the corner with a 6" x 6" "L" corner fabricated from aluminum coil stock. Hang the J-channel from the top of the eave. The bottom should extend 3/4" below the starter strip. Remove the bottom 3/4" of the nailing flange so that it will not show below the siding. Use the same positioning and nailing guidelines as inside cornerpost.



To create a narrower corner, you can also use a single length of J-channel and flashing. First, install the siding on one wall, then place the J-channel lightly against the siding and nail it to the substrate on the adjacent wall. Follow the same positioning and nailing guidelines as inside cornerposts.

If you have any questions about installing this product, please call us at 800-233-8990.